

DIGITAL CLOCK DISTRIBUTOR

521 CE MARK COMPLIANT

DESCRIPTION AND SPECIFICATIONS

CONTENTS	PAGE	CONTENTS (Contd)	PAGE
1. GENERAL	2	7. CLOCK CARD DESCRIPTIONS	29
2. INTRODUCTION	3	A. TNC-E/C Card	29
3. DESCRIPTION	4	B. TNC/C Card	30
A. System Components	4	C. LNC/C Card	31
B. Master Shelf	6	8. TIMING OUTPUT CARD DESCRIPTIONS	31
C. Expansion Shelf	9	A. EA10/C Card	31
D. Common Equipment Panel	9	B. EA10M/C Card	33
E. Interface Panel	9	C. TOAA/C Card	33
F. Remote System	11	D. TOCA/C Card	33
G. DCD-LPR/C	11	E. TOGA/C Card	33
H. Cards	12	F. TO-EA5/C Card	34
I. Interface Modules	16	G. TO-EA/C Card	35
J. Bridging Isolator Module	16	H. TOEA/C Card	35
4. SYSTEM DESCRIPTION	17	I. TOLA/C Card	36
A. System Architecture	17	J. TOTA/C Card	36
B. System Power	17	9. INSERTION CARD DESCRIPTIONS	36
C. Input Signals	17	A. ESCIU/C Card	36
D. Clocks	19	10. PSM/C CARD DESCRIPTION	38
E. Synchronization Monitors	19	11. SPECIFICATIONS	39
F. Timing Output	19		
G. Output Protection	19	Figures	
H. Synchronous Clock Insertion	20	1. DCD-521/C Shelf Assembly (as a	
I. SSM	20	Master Shelf)	5
5. ALARM AND MAINTENANCE CARD		2. Card Chassis in a Master Shelf with	
DESCRIPTIONS	21	TNC-E/C Clocks	7
A. SAI/C Card	21	3. Card Chassis in a Master Shelf with	
B. MIS/C Card	21	TNC/C Clocks	8
6. CLOCK INPUT CARD DESCRIPTIONS	24	4. Card Chassis in an Expansion Shelf	10
A. CI-EA/C Card	24	5. Master to Remote System Connection	11
B. CI/C Card	24	6. DCD-521/C to DCD-LPR/C Connection	12
C. ACI/C Card	25	7. E1 Bridging Isolator Module	16
D. DCIM-EA/C Card	25	8. Wire-Wrap Bridging Isolator Module	16
E. MRC/C Cards	27	9. DCD-521/C System	18

Tables	Page
A. Slot Covers	6
B. DCD-521/C System Cards	13
C. Maximum Number of Cards per Shelf	15
D. Protection Modes for Output Cards	15
E. Priority of Internal Timing Signals	19
F. Valid SSM Clock Input Card Combinations	20
G. Invalid SSM Clock Input Card Combinations	20
H. Cards Incompatible with MIS/C ^{V5}	22
I. Cards Incompatible with MIS/C	22
J. Factory Threshold Settings for MTIE and TDEV	39
K. System Specifications	40
L. Bridging Isolator Specifications	42
M. Card Specifications	43
N. Specification Terms	60

1. GENERAL

1.01 This section provides a general description and the specifications for the Digital Clock Distributor 521 CE Mark Compliant (DCD-521/C) System.

1.02 This section was reissued for the reasons listed below. Changes and additions are marked by change bars.

- Changed Part 3H to provide information for using MIS/C and SAI/C cards in a system.
- Changed Part 3J to provide information for using bridging isolator modules.
- Changed Part 8I to correct a part number.
- Changed Table M to correct information for the TOAA/C card.

1.03 Symmetricom is a registered trademark of Symmetricom, Inc. DCD and Version 5 are trade-

marks of Symmetricom, Inc. All other product names, service marks, trademarks, and registered trademarks used in this document are the property of their respective owners.

1.04 The following abbreviations are used in this document:

AIS	alarm indication signal
AMI	alternate mark inversion signal
B8ZS	bipolar 8 substitution
BITS	Building Integrated Timing Supply
BPV	bipolar violation
CAS	channel associated signaling
CCS	common channel signaling
CRC-4	cyclic redundancy check
DCD	Digital Clock Distributor
DCE	Data Communications Equipment
ESF	extended superframe
GPS	global positioning system
HDB3	high density binary 3
ITU	International Telecommunication Union
LOS	loss of signal
MTIE	Maximum Time Interval Error
OCXO	oven-controlled crystal oscillator
OOF	out of frame
PRC	Primary Reference Clock
SASE	Stand-Alone Synchronization Equipment
SDH	Synchronous Digital Hierarchy
SS7	Signaling System 7
SSM	Synchronization Status Message
SSU	Synchronization Supply Utility
TDEV	Time Deviation
TL1	Transaction Language 1
TNC	Transit Node Clock
TO	timing output card or slot
VCXO	voltage-controlled crystal oscillator

Notes:

1. Where information is common to the MRC-EA/C, MRC-EA/C^{V5}, MRC-T/C, MRC-T/C^{V5}, CI-EA/C, CI/C, DCIM-EA/C, and ACI/C cards, these cards are collectively

2. Where information is common to the MRC-EA/C, MRC-EA/C^{V5}, MRC-T/C, and MRC-T/C^{V5} cards, these cards are collectively referred to as MRC/C cards.
3. Where information is common to the PSM-E/C and PSM-EA/C cards, these cards are collectively referred to as PSM/C cards.
4. Where information is common to the TNC-E/C, TNC/C, and LNC/C cards, these cards are collectively referred to as clock cards.
5. Reference to wire gauge size is listed in wire diameter in mils and millimeters with the American Wire Gauge (AWG) designation in parenthesis.

1.05 The DCD-521/C System consists of a single shelf assembly that can serve in either a master or an expansion capacity. Each shelf assembly contains a card chassis, a Common Equipment Panel (CEP), and an interface panel. Each shelf assembly is considered one unit. For this reason, "expansion shelf" refers to the DCD-521/C Shelf assembly used in an expansion shelf capacity, and "master shelf" refers to the DCD-521/C Shelf assembly used in a master shelf capacity.

1.06 The DCD-521/C conforms to the European Standards EN55022, EN50082-1, and EN60950, and carries the CE Mark certification.

2. INTRODUCTION

2.01 The Digital Clock Distributor-521 CE Mark Compliant (DCD-521/C) System serves as the SSU, SASE, or BITS that is the common source for the frequency and phase synchronization necessary in any digital network element (transmission or switching).

2.02 The SASE/BITS distributes all timing (frequency and phase) required by other clocks within that building. A SASE/BITS may receive its reference signal(s) from either a local Primary Reference (PRC) G.811 clock, a network timing interface (reference connection), or another SASE/BITS. The reference signals must be generated from a clock of equal or greater accuracy than the SASE/BITS that uses the reference. Under normal operating conditions, all clock signals are traceable to a PRC and compliant with ITU recommendation G.811.

2.03 The DCD clocks within the DCD-521/C provide long-term averaging of the input reference. If the input is disrupted or is out of tolerance, the DCD clock provides the necessary bridge in timing (holdover) and allows the network to continue to operate slip-free for several hours or days depending on the clock installed.

2.04 The DCD-521/C provides system-wide synchronization via E1, DS1, analog, CC, TTL, RS-422, and other output timing signals. The DCD-521/C regenerates a clocking signal from its input reference and buffers short-term timing variations. The DCD-521/C also permits unrestricted 64 kb/s cross-connection among equipment within an office.

2.05 E1 output timing signals use a framed, all-ones format. A 2.048 MHz analog output can be used for digital switches, radio, and FDM carriers. An E1 clock signal can be inserted into a traffic-bearing facility, synchronizing the facility to the DCD-521/C timing signal.

2.06 The DCD-521/C provides synchronized distribution of timing signals for channel banks, digital switches, PBXs, digital cross-connect systems, SDH terminals, ISDN hardware, and other devices that interconnect with a digital network.

2.07 The DCD-521/C can perform nonintrusive monitoring, measurement, and data processing functions. Its data gathering capabilities can be interfaced to the customer's remote management system via TL1. This gives users the ability to monitor and gather performance data on their synchronization network from a remote monitoring center.

2.08 The system can be provisioned and monitored from a remote computer, and deliver detailed status information to a central management system.

2.09 The DCD-521/C HD can interface with Symmetricom's DCD-LPR/C and DCD-Cs. Either source is a PRC. The DCD-LPR/C uses reference signals from the Global Positioning System (GPS) satellites and is a G.811 source traceable to Universal Coordinated Time (UTC). The DCD-Cs is a self-contained cesium timing source.

3. DESCRIPTION

A. System Components

3.01 The DCD-521/C Systems are designed for modular growth. The DCD-521/C Shelf is a universal shelf assembly that can be used as a master shelf or an expansion shelf. Up to three expansion shelves can be added to a master shelf in a single system, and output cards may be equipped as needed.

3.02 Each shelf assembly integrates a card chassis, a Common Equipment Panel (CEP), and an interface panel into a shelf (Figure 1). The interface panel and CEP for each shelf are located behind a front cover.

3.03 The master and expansion shelves are mounted within the reach of the inter-shelf cables, usually in the same rack.

3.04 If the NEs being timed or monitored are located beyond the maximum cable lengths of the output cables, a remote system can be installed. A remote DCD-521/C System uses the master system synchronization signals.

3.05 The shelves in the DCD-521/C System house modular circuit packs (cards) that:

- accept reference inputs and provide for protection switching of faulty references
- regenerate a highly stable frequency generator or timing signal
- provide for protection switching of faulty frequency or timing signal generators
- produce timing signal and time code outputs in several formats
- insert a synchronization clock signal into a traffic-bearing E1 data stream
- centralize the command and control interface for the DCD-521/C System
- operate in conjunction with a DCD-LPR/C to provide a primary reference source

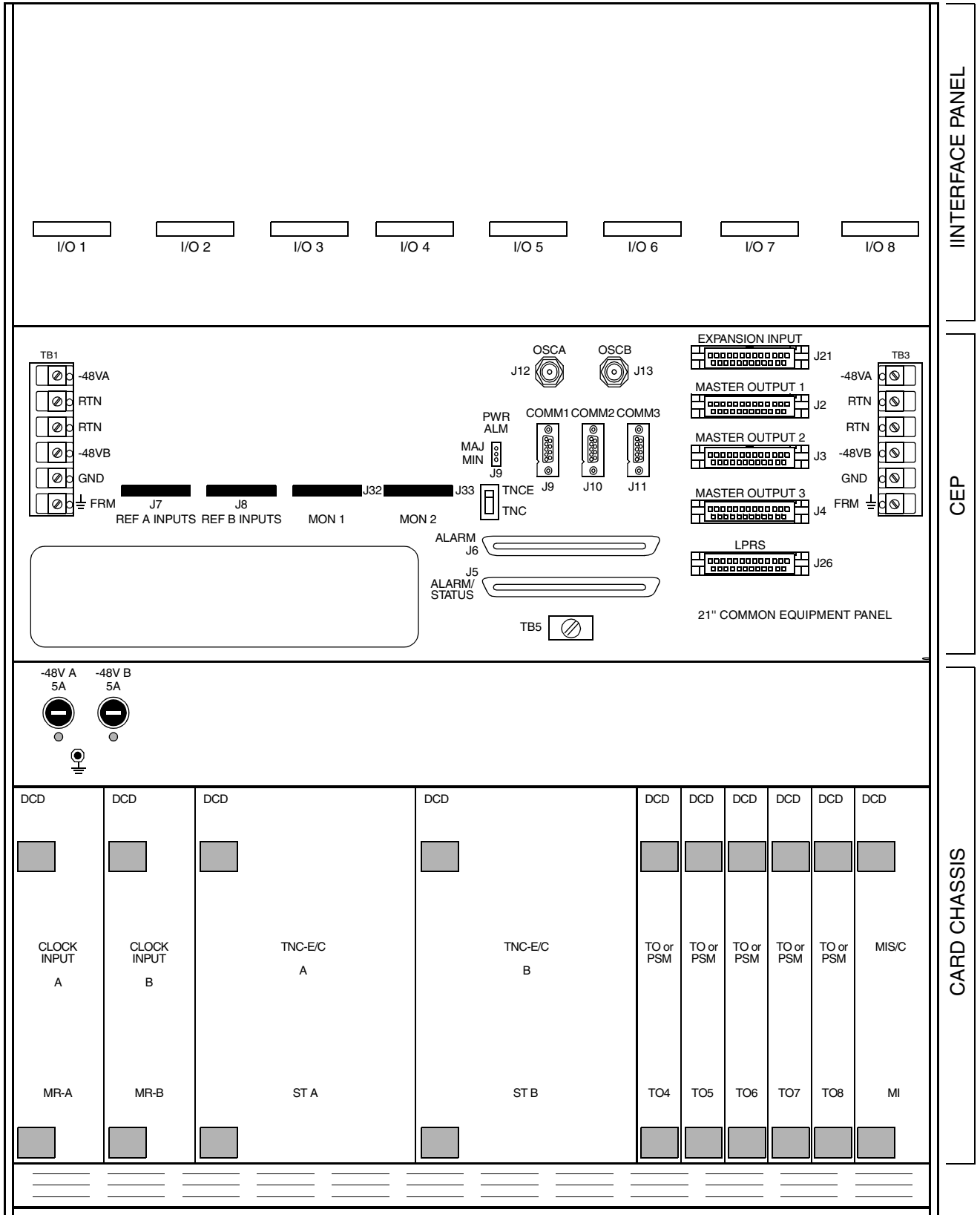


Figure 1. DCD-521/C Shelf Assembly (as a Master Shelf)

B. Master Shelf

3.06 All DCD-521/C Systems have a master shelf assembly. This shelf assembly accepts reference inputs, develops a stable frequency or timing signal, and provides the central system alarm and maintenance interface.

3.07 The master shelf card chassis can house the following cards:

- Clock input cards
- Clock cards
- Timing output cards
- Clock insertion cards
- Precision Synchronization Monitor cards
- Maintenance Interface card
- Alarm card

3.08 Depending on the clock used (the rubidium-based TNC-E/C, or the quartz-based TNC/C), the DCD-521/C master shelf supports up to 8 timing output or clock insertion cards. Figure 2 shows the card slot assignment if the master shelf is equipped with 2 TNC-E/C clock cards; Figure 3 shows the card slot assignment if the master shelf is equipped with 2 TNC/C clock cards.

3.09 Each timing output slot can hold one timing output or ESCIU/C card. Two adjacent output slots can hold a pair of timing output cards for redundant timing output card protection. Redundant timing output card pairs must be installed in the following slot pairs:

- TO1 and TO2
- TO3 and TO4

- TO5 and TO6
- TO7 and TO8

3.10 PSM/C cards may be installed in the MON1 slot, MON2 slot, or any 2 TO slots. This is a double-wide card and occupies 2 slots (e.g., TO1/TO2, TO5/TO6, etc.). The MON1 and MON2 slots are the four slots located to the left of the TNC B slot. The MON slots share some of the same space designated as TNC A slots, therefore, the following restrictions apply:

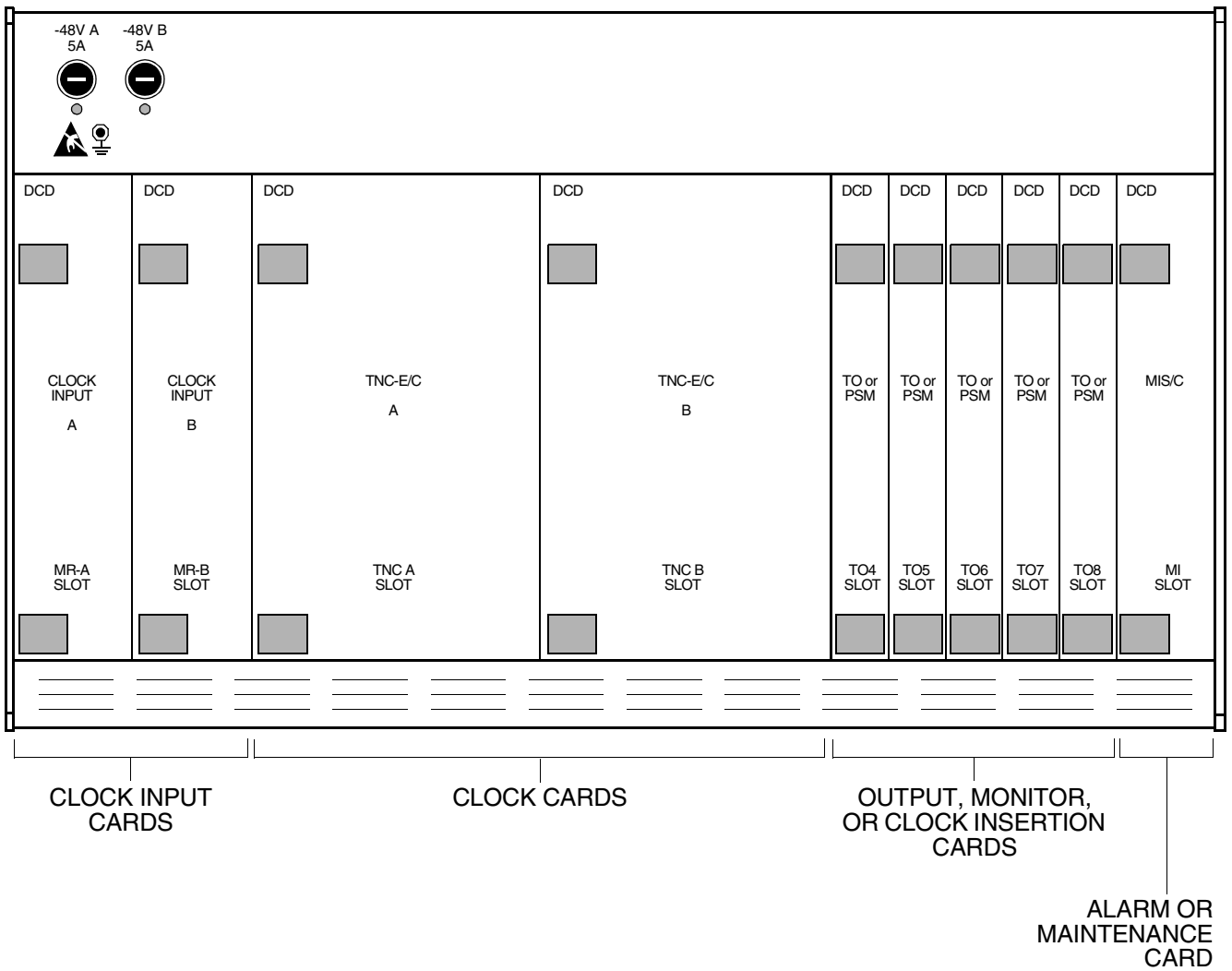
- If a TNC-E/C card is installed in the TNC A slot, PSM/C cards cannot be installed in either the MON1 or MON2 slot.
- If a TNC/C card is installed in the TNC A slot, a PSM/C card can be installed in the MON2 slot, but not in the MON1 slot.

Note: The maximum number of PSM-E/C and PSM-T/C cards that may be installed in any one shelf is two, the total among all shelves in a system is seven. The number of PSM-E/C^{V5} cards is only limited by the available TO and MON slots.

Note: If a slot is unoccupied, install a slot cover panel to ensure the system is CE Mark compliant. See Table A for the slot covers.

Table A. Slot Covers

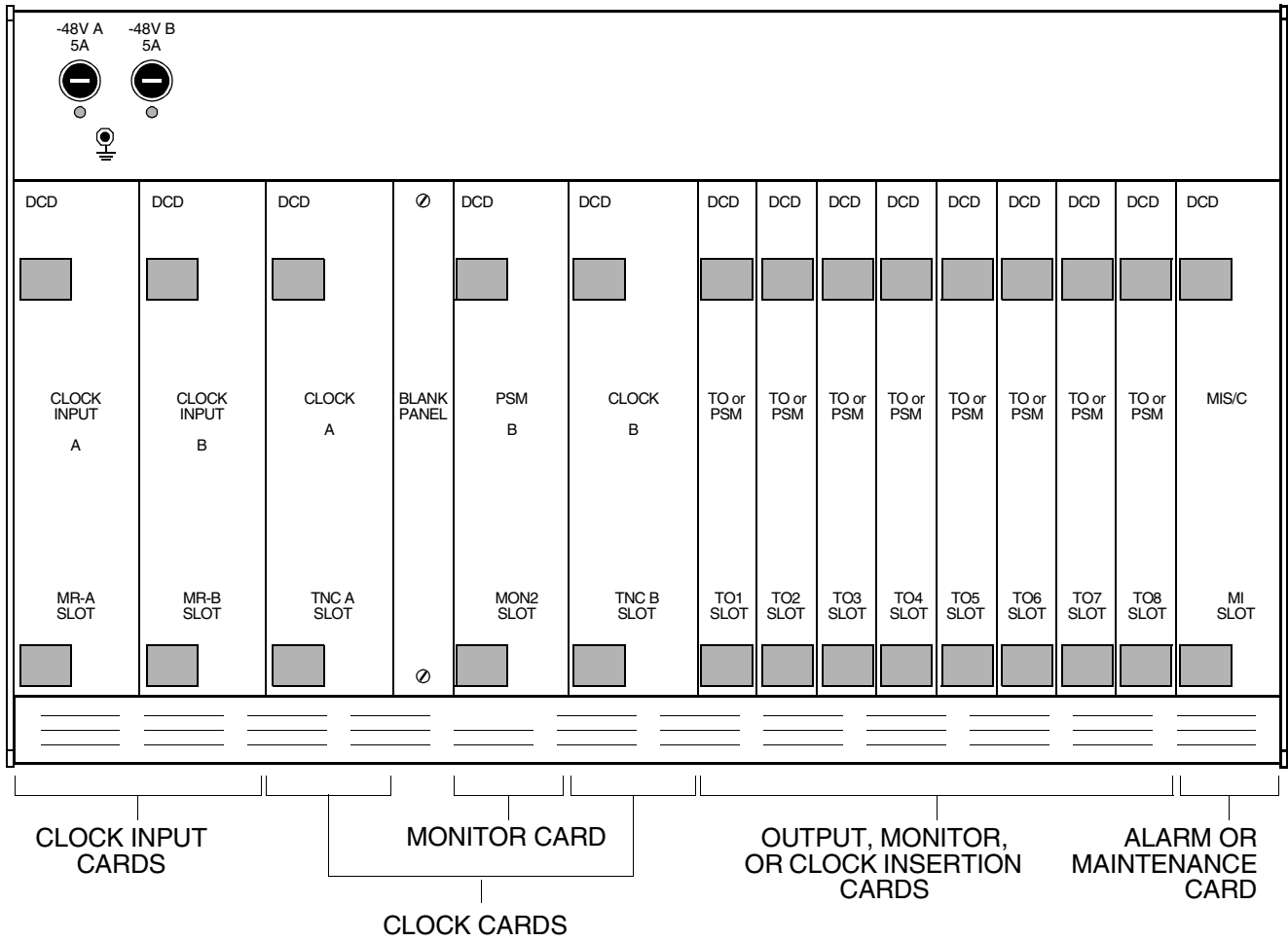
PART #	DESCRIPTION
074-00208-01	Single-slot cover panel
074-00209-01	Double-slot cover panel



Notes:

1. Install a PSM/C card in any 2 adjacent timing output slots (the card is 2 slots wide).
2. Redundant output card pairs may be installed only in slot pairs TO5/TO6, and TO7/TO8.

Figure 2. Card Chassis in a Master Shelf with TNC-E/C Clocks



Notes:

1. Install a PSM/C card in the MON1 or MON2 slot or any 2 adjacent TO slots (the card is 2 slots wide).
2. Redundant output card pairs may be installed only in slot pairs TO1/TO2, TO3/TO4, TO5/TO6, and TO7/TO8.

Figure 3. Card Chassis in a Master Shelf with TNC/C Clocks

C. Expansion Shelf

3.11 Up to three expansion shelves can be used with one master shelf. Each expansion shelf card chassis (Figure 4) can house the following cards:

- Timing output cards
- Clock insertion cards
- Precision Synchronization Monitor cards
- Maintenance Information card
- Alarm card

3.12 Each timing output slot can hold one timing output or ESCIU/C card. Two adjacent output slots can hold a pair of timing output cards for redundant timing output pair protection. Protected timing output card pairs must be installed in the following slot pairs:

- TO1 and TO2
- TO3 and TO4

- TO5 and TO6

- TO7 and TO8

3.13 PSM/C cards may be installed in the MON1 slot, MON2 slot, or any 2 adjacent timing output slots. This is a double-wide card and occupies 2 slots.

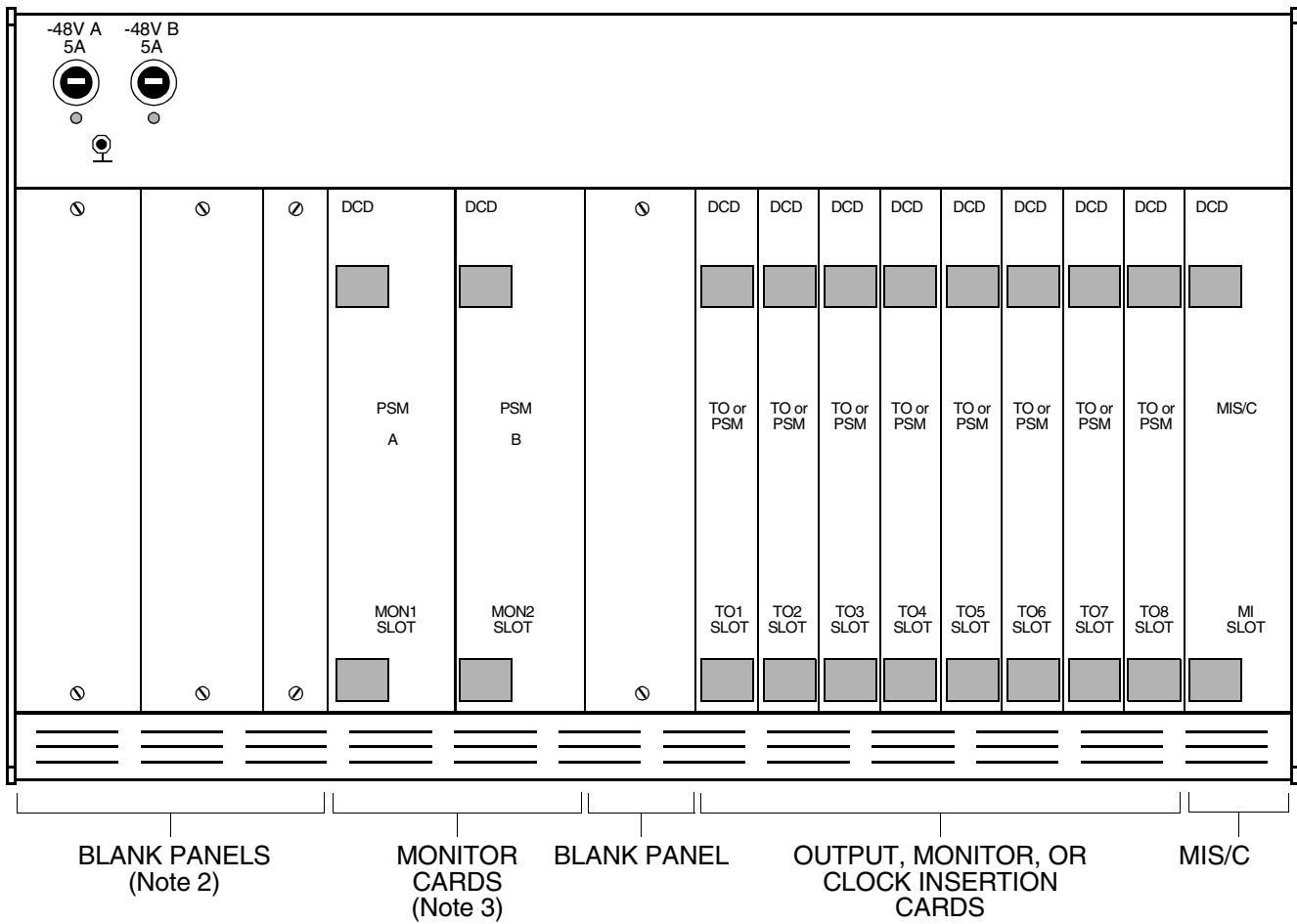
Note: If a slot is unoccupied, install a slot cover panel to ensure the system is CE Mark compliant. See Table A for the slot covers.

D. Common Equipment Panel

3.14 The Common Equipment Panel (CEP) (Figure 1) provides configuration switches, power connections, and signal interfaces for cards in the slots labeled MR, MON, TNC and MI. Modules are required to make the connections for input references and for synchronization signals to be monitored.

E. Interface Panel

3.15 The timing signals for cards in the TO slots are routed through interface modules installed on the interface panel (Figure 1). Each connector on the interface panel internally connects to a TO slot.



Notes:

1. Timing for the expansion shelf is provided by the master shelf via a shielded cable so clock cards and clock input cards are not required.
2. Install a PSM/C card in the MON1 or MON2 slot or any 2 adjacent TO slots (the card is 2 slots wide).
3. Redundant output card pairs may be installed only in slot pairs TO1/TO2, TO3/TO4, TO5/TO6, and TO7/TO8.

Figure 4. Card Chassis in an Expansion Shelf

F. Remote System

3.16 The DCD-521/C System can act as a timing master to drive remote DCD-521/C Systems (Figure 5). A remote system can locate timing outputs closer to their destinations while retaining full communications with an Operations Support System (OSS).

3.17 A remote system is a master shelf located in another rack in the same building. Timing output cards in the master system provide timing to clock input cards in the remote system. If communications are not required, a remote system may contain a master shelf and up to three expansion shelves.

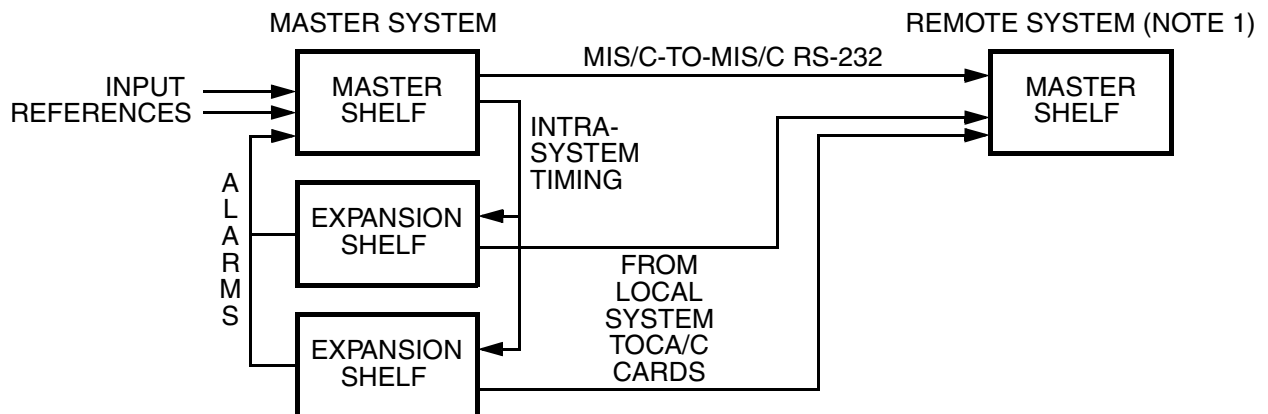
3.18 The master and remote systems can be equipped for phase-aligned timing signals (via an output apiece from two TOCA/C cards) or G.703 tim-

ing signals (via an output apiece from two TOEA/C or TOGA/C cards). For additional information, refer to the Installation section of this manual.

3.19 In case the signals from the master system fail, one or two clock cards may be installed in the remote system master shelf to provide holdover timing during a signal interruption.

G. DCD-LPR/C

3.20 A DCD-LPR/C System can be used in association with a DCD-521/C System to create an integrated Local Primary Reference source and distribution synchronization system (Figure 6). The DCD-LPR/C shelf should be located in the rack space immediately above the DCD-521/C master shelf. The DCD-LPR/C requires 2 inputs that can be supplied by the DCD-521/C System.



Notes:

1. The remote system master shelf must be equipped with two clock input cards optioned to accept two feeds from the DCD-521/C master system. The remote system may be equipped with one or two clock cards to provide timing holdover if a fault occurs.
2. If communications outside the system are not required, the MIS/C-to-MIS/C cable is not required, and both the master system and the remote system may have up to three expansion shelves apiece.

Figure 5. Master to Remote System Connection

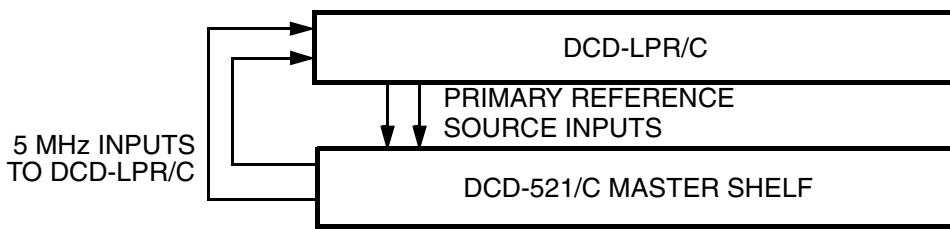


Figure 6. DCD-521/C to DCD-LPR/C Connection

H. Cards

3.21 Table B lists the cards that may be installed in a DCD-521/C System.

3.22 Clock input cards are required in the DCD master shelf (in master and remote systems). Remote system master shelves should only be equipped with CI/C cards optioned for composite clock (CC) if the master shelf supplies timing via TOCA/C cards. Expansion shelves (in master and remote systems) do not require clock input or clock cards. A ribbon cable delivers system timing from the master shelf to each expansion shelf.

3.23 In a master system master shelf, the following clock input card combinations may be installed:

- Two MRC/C cards
- Two CI-EA/C cards
- Two CI/C cards
- Two ACI/C cards
- Two DCIM/C cards
- One CI/C card and one ACI card

3.24 Table D shows which output cards can be used in each protection mode (unprotected (stand-alone), 1:1, and 1+1). Table C lists the maximum number of cards that may be installed in a master or an expansion shelf.

3.25 All MI slots in a DCD System must be equipped with MIS/C cards of the same part number and software revision, or with SAI/C cards.

3.26 Version 5 cards require an MIS/C^{V5} card in the shelf to communicate data and manage the system. An expansion shelf with an MIS/C^{V5} card requires an MIS/C^{V5} card in the master shelf to communicate all synchronization and management data to the OSS.

Note: If a slot is unoccupied, install a slot cover panel to ensure the system is CE Mark compliant. See Table A for the slot covers.

Table B. DCD-521/C System Cards

CARD	PART NUMBER	DESCRIPTION (Note 1)	MASTER SHELF	EXPANSION SHELF
CLOCK INPUT CARDS				
MRC-EA/C	090-44010-06	Multiple Reference Controller, E1 or Analog (Note 2)	X	—
MRC-EA/C	090-44010-07	Multiple Reference Controller, E1 or Analog (Notes 2, 3)	X	—
MRC-EA/C ^{V5}	090-44010-56	Multiple Reference Controller, E1 or Analog (Note 2)	X	—
MRC-EA/C ^{V5}	090-44010-57	Multiple Reference Controller, E1 or Analog (Notes 2, 3)	X	—
MRC-EA/C ^{V5}	090-44010-56T	Multiple Reference Controller, E1 or Analog (Note 2)	X	—
MRC-T/C	090-44010-03	Multiple Reference Controller, T1 (Note 4)	X	—
MRC-T/C	090-44010-08	Multiple Reference Controller, T1 (Notes 3, 4)	X	—
MRC-T/C ^{V5}	090-44010-58	Multiple Reference Controller, T1 (Notes 3, 4)	X	—
CI-EA/C	090-44910-03	Clock Input, E1 or Analog	X	—
DCIM-EA/C ^{V5}	090-44010-59	Dual Clock Input Messaging, E1 or Analog	X	—
CI/C	090-44910-01	Clock Input	X	—
ACI/C	090-44924-01	Clock Input, Analog	X	—
CLOCK CARDS				
TNC-E/C	090-44017-02	Enhanced Transit Node Clock	X	—
TNC/C	090-44020-02	Transit Node Clock	X	—
LNC/C	090-44019-02	Local Node Clock	X	—
TIMING OUTPUT AND INSERTION CARDS				
EA10/C ^{V5}	090-44029-52	Timing Output E1 and Analog	X	X
EA10M/C ^{V5}	090-44029-54	10-Output Timing Output E1 and Analog Messaging	X	X
TOAA/C	090-44022-xx	Timing Output Analog Automatic	X	X
TOAA/C	090-44028-10	Timing Output Analog Automatic	X	X
TOCA/C	090-44011-02	Timing Output Composite Clock	X	X
TO-EA5/C ^{V5}	090-44029-51	Timing Output E1 or Analog Automatic	X	X
TO-EA5/C ^{V5}	090-44029-51T	Timing Output E1 or Analog Automatic	X	X
TO-EA/C	090-44029-01	Timing Output E1 or Analog Automatic (Note 5)	X	X

Table B. DCD-521/C System Cards (Contd)

CARD	PART NUMBER	DESCRIPTION (Note 1)	MASTER SHELF	EXPANSION SHELF
TOEA/C	090-44027-01	Timing Output E1 Automatic	X	X
TOGA/C	090-44022-07	Timing Output G.703 Automatic	X	X
TOLA/C	090-44023-xx	Timing Output Logic Level Automatic	X	X
TOTA/C	090-44012-02	Timing Output T1 Automatic	X	X
ESCIU/C	090-44021-01	E1 Synchronous Clock Insertion Unit	X	X
MONITOR CARDS				
PSM-T/C	090-44025-01	Precision Sync Monitor, E1 (Note 6)	X	X
PSM-E/C	090-44025-02	Precision Sync Monitor, E1 (Note 6)	X	X
PSM-E/C ^{V5}	090-44025-52	Precision Sync Monitor, E1	X	X
PSM-E/C ^{V5}	090-44025-52T	Precision Sync Monitor, E1	X	X
PSM-EA/C ^{V5}	090-44025-54	Precision Sync Monitor, E1 and Analog	X	X
ALARM/MAINTENANCE CARDS				
MIS/C ^{V5}	090-44018-05	Maintenance Interface System (Note 7)	X	X
MIS/C	090-44018-14	Maintenance Interface System (Note 7)	X	X
MIS/C ^{V5}	090-44018-15	Maintenance Interface System (Note 7)	X	X
SAI/C	090-44014-02	System Alarm Interface	X	X
Notes: 1. All cards are CE marked. 2. All MRC-EA/C cards in a shelf must be the same part number. 3. ITU G.812 Type 1 compliant. 4. All MRC-T/C cards in a shelf must be the same part number. 5. Do not install a TO-EA/C card in a redundant pair with a TO-EA5/C card. 6. Do not install a PSM/C card in the same shelf with a PSM/C ^{V5} card. 7. See Part 5B for compatibility with versions of the MIS/C card.				

Table C. Maximum Number of Cards per Shelf

CARD	MASTER SHELF		EXPANSION SHELF
	WITH TNC-E/C CLOCK CARDS	WITH TNC/C CLOCK CARDS	
Clock Input Cards (Note 1)	2	2	—
TNC-E/C (Note 2)	2	—	—
TNC/C, LNC/C	—	2	—
Timing Output (EA10/C, TO-EA5/C, TO-EA/C, TOGA/C)	Stand-alone: 5 Redundant pairs: 2	Stand-alone: 8 Redundant pairs: 4	Stand-alone: 8 Redundant pairs: 4
Timing Output (other)	Stand-alone: 5	Stand-alone: 8	Stand-alone: 8
ESCIU/C	5	8	8
PSM/C ^{V5}	2	3	3
PSM/C (Note 3)	2 maximum on any shelf, 7 maximum for the system		
MIS/C or SAI/C (Note 4)	1	1	1

Notes:

- The MR A and MR B clock input slots are double-wide slots; if single-slot wide cards are installed, install a blank card (p/n 074-00208-01) in the empty slot to the right of the single-wide card.
- The second TNC-E/C card physically occupies the TO1 through TO3 output slots, so these slots cannot be used for other cards.
- A maximum of seven PSM/C cards are allowed in a single system (2 in the master shelf and 5 throughout the expansion shelves, whether the system is a master or a remote system).
- If the master shelf is equipped with MIS cards, the expansion shelves must be equipped with MIS cards; the combination of MIS and SAI cards is not allowed.

Table D. Protection Modes for Output Cards

Output Card	Stand-alone	1:1	1+1	MIS/C SW Version (Note 2)
EA10/C	Y	Y	Y	5.02.xx
EA10M/C	Y	Y	Y	5.04.xx
TOAA/C	Y	N	N	SAI/C, any MIS/C
TOCA/C	Y	N	N	SAI/C, any MIS/C
TOEA/C	Y	N	N	SAI/C, any MIS/C
TO-EA/C	Y	N	Y	SAI/C, any MIS/C
TO-EA5/C	Y	Y	Y	5.02.xx
TOGA/C	Y	N	Y	SAI/C, any MIS/C

Table D. Protection Modes for Output Cards (Contd)

Output Card	Stand-alone	1:1	1+1	MIS/C SW Version (Note 2)
TOLA/C	Y	N	N	SAI/C, any MIS/C
TOTA/C	Y	N	N	SAI/C, any MIS/C
ESCIU/C	Y	N	N	SAI/C, any MIS/C

Notes:

- The software version listed in the column, or a later version, must be installed in the MIS card in the shelf.
- The key for abbreviations in the body of the table:
 Y: Function can be used
 N: Function cannot be used
 —: Not applicable

I. Interface Modules

3.27 Interface modules connect to the interface panel and CEP (Figure 1), so that input reference signals, timing output signals, and monitored signals may be connected to the shelf. Different module types contain different connector types, so the proper type of cable connector can be attached to the module.

Note: The 090-44028-10 TOAA/C card provides BNC connectors for its outputs on the front panel of the card, and does not require an interface module.

3.28 Each reference input module contains a switch to tie the cable shield to frame ground. Tying the shield to ground is ordinarily not required, but may be used in noisy environments to reduce noise. Set the switch to FGND to tie the cable shield to frame ground, or OPEN to leave the cable shield open (floating).

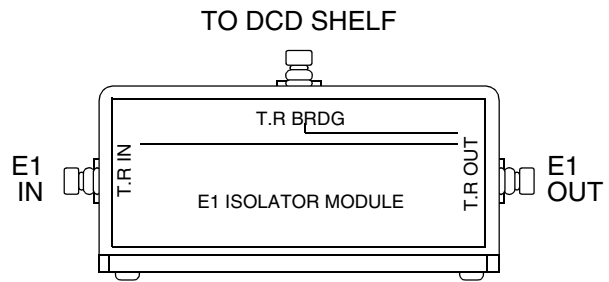
3.29 A PSM/C card in a MON slot accepts timing signals from a PSM/C module on a MON connector on the CEP. A PSM/C card in a TO slot accepts timing signals from a PSM/C module on a TO connector on the interface panel.

3.30 A module is associated with a slot in the shelf. A stand-alone output card requires a single-wide output module. A redundant output card pair requires a double-wide output module. A PSM/C card, which occupies 2 TO slots, requires one single-wide module.

J. Bridging Isolator Module

3.31 If bridged connections are required for E1 signals, a bridging isolator module (Figure 7 and Figure 8) must be used. Symmetricom offers a variety of bridging isolator modules, or one may be purchased through an outside vendor.

3.32 The bridging isolator is installed in-line in a traffic-carrying CEPT/E1 bitstream, and provides no loss to the signal. It contains one or three 750 Ω high-impedance bridged output connections which have a 20.8 dB (or 20 dB) isolation from the traffic signal. A bridged output connection may be used for a DCD Shelf input, or an input to a PSM/C card. The signal grounds are carried through the bridging isolator for both the traffic signal and the bridged signal.



Note: The number and type of connectors change (one or three BNC, SMB, or Siemens1.6/5.6), depending on the isolator module ordered.

Figure 7. E1 Bridging Isolator Module

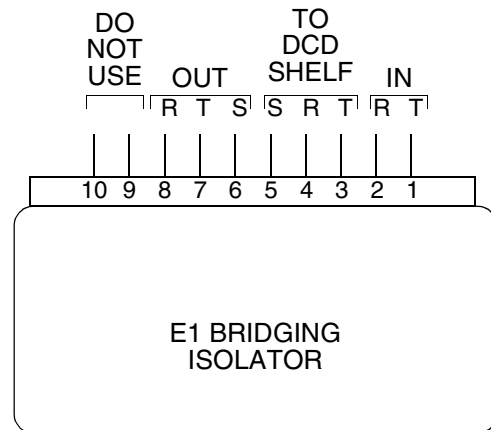


Figure 8. Wire-Wrap Bridging Isolator Module

4. SYSTEM DESCRIPTION

A. System Architecture

4.01 The system architecture (Figure 9) is based on four 4 kHz buses, which provides a highly redundant timing architecture. Clock input cards and clock cards are arranged in redundant pairs. Clock input cards receive reference inputs from outside the shelf. These signals discipline the clock cards. Each of the four cards drives a separate bus. The timing output cards and ESCIU/C cards select the highest priority bus and use that signal to develop a timing output in the proper frequency and format.

4.02 The shelf contains an internal communications bus for an MIS/C to administer shelf functions and communicate with an external reporting system. An SAI/C card, an MIS/C card, and a MIS/C^{V5} card provide various levels of alarm information and communications between the DCD System and an outside terminal.

4.03 The master shelf develops the timing signals for the quad bus. Cables carry the quad bus to the expansion shelves in multi-shelf systems.

B. System Power

4.04 DCD-521/C Systems are powered by two separate -48 V dc office battery inputs. Each battery input passes through a fuse on the shelf, then to the cards in the shelf. The battery input connects directly to the MI slot, bypassing the fuse. Each card contains a dc-to-dc converter to provide dc supply voltages.

C. Input Signals

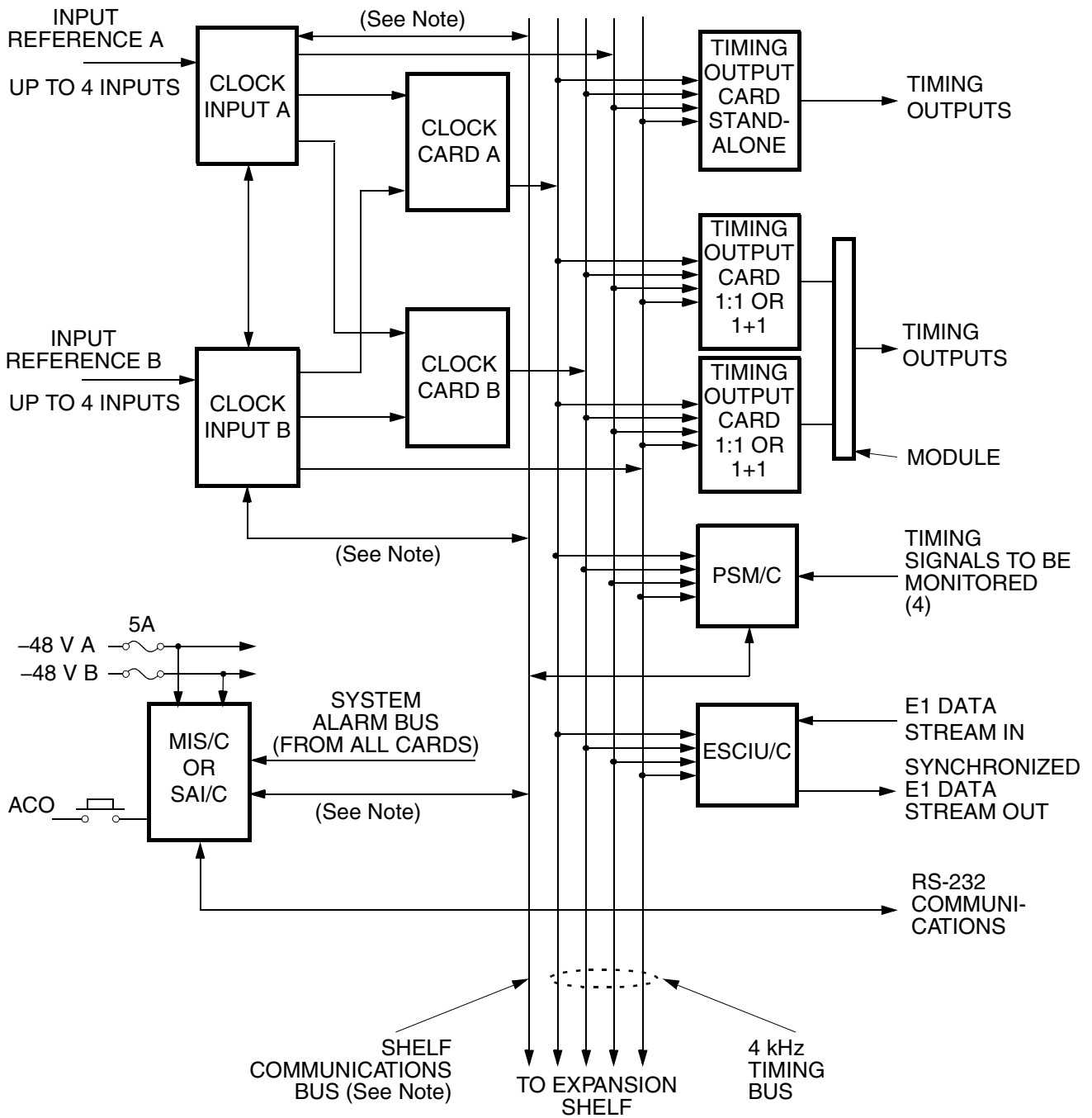
4.05 Clock input cards accept input signals of various formats, and discipline the clock cards. Input signals are arranged in pairs and designated A (primary) and B (secondary) (see Figure 9). Input reference signals are typically:

- DS1 or E1 input reference signals, either 0 dB signal level (terminated) or -20 dB signal level (bridged).
- E1/2.048 MHz G.703 input reference signals, either 0 dB (terminated) or -20 dB (bridged).
- Analog input reference signals of 1 MHz, 2 MHz, 5 MHz, or 10 MHz.

4.06 One or more input signals are applied to each clock input card, which drive the clock cards. The clock cards are phase-locked to the input signal and provide outputs to the TO cards.

4.07 If multiple reference signals are desired, use MRC/C or DCIM-EA/C cards. An MRC/C card accepts up to four reference input signals. The MRC/C card continuously monitors each of the provisioned reference inputs, checking for signal integrity, digital transmission errors, and frequency variations. A DCIM-EA/C card accepts up to two reference input signals, and continuously monitors each of the provisioned reference inputs, checking for signal integrity and digital transmission errors.

4.08 All clock input cards provide an internal 4 kHz clock locked to an input reference signal. The 4 kHz signal disciplines the clock cards and appears on the quad bus to provide redundancy if a failure occurs in a clock card.



Note: This communications path is available only if the shelf is equipped with an MIS/C card. Among clock input cards, only the MRC/C and DCIM-EA/C cards communicate over this bus. All Version 5 cards communicate over this bus. If an SAI/C card is installed in the shelf, Version 5 cards cannot use this bus.

Figure 9. DCD-521/C System

D. Clocks

4.09 The clock cards regenerate the input reference and buffer short-term timing variations. Outputs from the clock cards are on the quad bus for use by the TO cards. A variety of clocks are available for installation in the DCD-521/C. These clocks, typically installed in pairs, provide independent, fully-redundant oscillators. The clock cards installed determine the timing stability if the system loses all input references and must go into holdover.

E. Synchronization Monitors

4.10 A PSM/C card provides precision monitoring of up to four timing reference signals. Detailed information on each reference is available from the MIS/C card using an RS-232 connection and the TL1 language. Software from Symmetricom (available separately) provides a graphical user interface for TL1, graphing capabilities for the references monitored, and other functions, such as MTIE and TDEV.

F. Timing Output

4.11 TO cards supply timing outputs formatted for use by equipment and facilities. The type of TO card installed determines whether the output signals are composite clock (CC), E1 or 2.048 MHz G.703, DS1, or logic level (RS-422, RS-423, RS-232). Timing outputs are constantly monitored for activity.

4.12 TO cards monitor the internal quad timing bus for an input signal. A signal from a clock card has priority over a signal from a clock input card. Refer to Table E for input signal selection priority.

Table E. Priority of Internal Timing Signals

PRIORITY	CARD SUPPLYING TIMING
1	Clock A (ST A)
2	Clock B (ST B)
3	Clock Input A (CI A)
4	Clock Input B (CI B)

4.13 If a higher priority signal is lost, TO cards switch to a lower priority signal. When any higher priority signal becomes available on the quad bus, most TO cards automatically revert to the higher priority source.

4.14 The EA10/C, EA10M/C, TOTA/C, TO-EA5/C, and TO-EA/C cards need not revert automatically to the higher priority source. These cards can be set for revertive or nonrevertive switching of the quad bus sources. Nonrevertive switching reduces the possibility of hits caused by switching input sources. When the card is configured for nonrevertive switching, the four sources on the internal bus are separated into the following individual groups:

- Clock source group
- Clock input source group

4.15 In nonrevertive switching, a TO card does not revert to a higher priority source if that source is within the same group the TO card is using. The TO card only reverts to a source in the higher priority clock source group when the TO card is using a source from the clock input group.

4.16 For example, a nonrevertive TO card is using the clock B signal because the clock A signal had been lost. When clock A is restored, the TO card remains using the clock B signal because it is in the clock source group. If the TO card had been using the clock input A signal when clock A is restored, the TO card reverts to the clock A signal, because it is in the higher priority clock source group.

G. Output Protection

4.17 The DCD-521/C System can be configured to provide protection for the timing outputs in the shelf. Card outputs may be protected in a 1:1 or 1+1 protection plan, depending upon the cards installed and the shelf configuration.

1:1 and 1+1 Protection

4.18 EA10/C, EA10M/C, TO-EA/C, TO-EA5/C, and TOGA/C card pairs can be used for protection of timing output signals. EA10/C, EA10M/C, and TO-EA5/C cards can provide 1:1 or 1+1 protection; TO-EA/C and TOGA/C cards can only provide 1+1 protection. A double-wide output module is required for a 1:1 or 1+1 pair.

4.19 In 1:1 protection, one card of the pair provides the active outputs and the other card's outputs are squelched. If the active card fails, the outputs of the other card become active, providing the output signal for the pair. In 1+1 protection, both cards produce output signals at a reduced power level. The signals are combined at the interface panel to create a normally powered output. If one card fails, the outputs of the other card are increased to normal power.

Note: When installing any redundant pair of TO cards in a shelf, install the pair in slot pairs TO1&TO2, TO3&TO4, TO5&TO6, TO7&TO8.

4.20 A pair of EA10/C, EA10M/C, or TO-EA5/C cards can operate in 1:1 protection or 1+1 protection. Refer to Part 8A, EA10/C Card, Part 8B, EA10M/C Card, or Part 8F, TO-EA5/C Card, for information.

4.21 A pair of TO-EA/C or TOGA/C cards operates in 1+1 protection. Refer to Part 8G, TO-EA/C Card, or Part 8E, TOGA/C Card, for information.

H. Synchronous Clock Insertion

4.22 Synchronous clock insertion synchronizes an incoming or outgoing data-carrying facility with the DCD timing source. The data stream enters the DCD System, becomes synchronized to DCD timing in the ESCIU/C card, and leaves the DCD System.

4.23 Since data is carried on these timing lines, the interface panel for connecting the data lines contains a bypass relay that closes if the card fails, allowing data to pass through the system during an alarm condition.

I. SSM

4.24 The DCIM-EA/C and EA10M/C cards can receive, process, and generate Synchronization Status Message (SSM) messages. A Version 5.04 or higher MIS/C card is required to handle SSM messages inside the system.

4.25 The DCIM-EA/C and EA10M/C cards require a Version 5.04 or higher MIS/C card to communicate with an MIS/C card.

4.26 If EA10M/C cards are in redundant-pair protection and processing SSM messages, both cards in

the pair must be the EA10M/C card type.

4.27 An operator can assign an SSM quality level to any clock input card or clock card via TL1 commands, whether that card can process SSM messages or not.

4.28 One SSM message set is specific to E1, and another set is specific to T1. A single shelf can support E1 SSM messaging, or T1 SSM messaging, but not both.

4.29 Table F lists valid SSM clock input card combinations; Table G lists invalid SSM clock input card combinations.

Table F. Valid SSM Clock Input Card Combinations

Slot 1	Slot 2
DCIM-EA/C	DCIM-EA/C or no card
DCIM-EA/C or no card	DCIM-EA/C
MRC-EA/C	MRC-EA/C or no card
MRC-EA/C or no card	MRC-EA/C
MRC-T/C	MRC-T/C or no card
MRC-T/C or no card	MRC-T/C
Note: The DCIM/C cards can process SSM messages. Other clock input cards must be assigned a quality level by TL1 command.	

Table G. Invalid SSM Clock Input Card Combinations

Slot 1	Slot 2
MRC-EA/C	MRC-T/C
MRC-T/C	MRC-EA/C
Any DCIM/C card	Any MRC/C card
Any MRC/C card	Any DCIM/C card
Any non-Version 5 clock input card	Any non-Version 5 clock input card
Any DCIM/C card	CI, ACI, or CI-EA/C card
CI/C, ACI/C, or CI-EA/C card	Any DCIM/C card

4.30 The following are valid card types for T1 SSM operation:

- MRC-T/C, CI, or ACI (if installed according to Tables F and G)

4.31 The following cards are valid card types for E1 SSM operation:

- DCIM-EA/C
- EA10M/C
- MRC-EA/C, CI/C, ACI/C, or CI-EA/C (if installed according to Tables F and G)

5. ALARM AND MAINTENANCE CARD DESCRIPTIONS

A. SAI/C Card

5.01 The SAI/C card provides DCD alarm summary with office and remote telemetry alarm relay closures and status indicators, and may be used in place of the MIS/C card if remote RS-232 communication to the shelf is not required.

5.02 The SAI/C card may be used for both master and expansion shelf configurations to provide major and minor alarm reporting. (Power supply alarms are not passed from the expansion to the master shelf.) In systems configured with an MIS/C card in the master shelf, either an SAI/C or MIS/C card can be installed in an expansion shelf to report alarms to the MIS/C card in the master shelf. An expansion shelf with an SAI/C card is not compatible in a system with a MIS/C^{V5} card installed in the master shelf.

5.03 Output alarms from the TO cards, input reference alarms from the clock input cards, and fail alarms from any card in the shelf are sent to the SAI/C card on the shelf alarm bus. Status indications, including clock loss and port alarms, are also monitored by the SAI/C card. Depending on which alarms are received, the SAI/C activates audible and visual alarm and status indicator (SI) outputs. An additional set of status leads on the backplane enables either a major or minor alarm in the event of the failure of a battery or a blown fuse.

Note: Major and minor alarm leads have both normally open (NO) and normally closed (NC) dry relay contacts. Major and Minor Status Indicators have NO relay contacts only. All other status indicators are open-collector outputs between the SI lead and battery return (SR). No voltage potential exists on the SI leads, therefore they can be used to interface external systems with negative voltages such as -48 V dc and -24 V dc.

5.04 When dc power is lost to the shelf, the normally open relays close, initiating an office alarm.

5.05 A front-panel ACO push button, when pressed, silences the audible alarm and lights the ACO lamp. The ACO push buttons on all shelves in the system have the same effect. An external lead on the shelf backplane is provided for remote ACO operation.

B. MIS/C Card

5.06 An MIS/C card installed in the master shelf provides office and remote telemetry surveillance and control for the DCD-521/C System. The MIS/C provides DCD alarm summary with office and remote telemetry alarm relay closures and status indicators, as well as remote RS-232 communication to the system via TL1. The MIS/C card is installed in the far right side slot (MI) of the DCD-521/C master or expansion shelf.

5.07 Two versions of the MIS/C card are available, 090-44018-14 (non-Version 5 MIS/C) and 090-44018-05 and 090-44018-15 (MIS/C^{V5}). Cards that cannot be used in the same shelf as an MIS/C^{V5} card are listed in Table H. Cards that cannot be used in the same shelf as a non-Version 5 MIS/C card are listed in Table I.

5.08 MIS/C^{V5} card communications support both hardware flow control (via the CTS and RTS pins of the RS-232 cable) and software flow control (via the XON/XOFF protocol), and use commands compatible with X.25-based PAD interfaces and the Hayes modem command set.

5.09 A database of information for the DCD System can be downloaded from the remote communications device held in nonvolatile RAM, if the proper card switch is selected. The previous copy of the database, if it exists, remains in effect until cleared.

Table H. Cards Incompatible with MIS/C^{V5}

CARD	PART NUMBER
MRC-EA/C	090-44010-06
MRC-EA/C	090-44010-09
MRC-T/C	090-44010-03
MRC-T/C	090-44010-08
PSM-E/C	090-44025-02
PSM-T/C	090-44025-01
GTI/C (in LPR/C System) (Note 2)	090-44140-12
GTI/C (in LPR/C System) (Note 2)	090-44140-14 (Rev. D or earlier)
Notes: 1. Install a MIS/C ^{V5} card in any shelf that contains a Version 5 card. 2. This card may not be installed in an LPR/C System that is used with a DCD-521/C System that has a MIS/C ^{V5} in its master shelf.	

5.10 An MIS/C^{V5} card installed in a shelf allows TL1 commands to configure cards and retrieve data from individual standard cards in the shelf. If a card in the shelf is replaced with a card of the same type, the MIS/C^{V5} card sets the replacement card to the same configuration as the replaced card. If an MIS/C^{V5} card replacement does not have a shelf database in non-volatile memory, the replacement card populates its database with data from the shelf. If a replacement card has a database, the replacement card configures the shelf according to its database.

5.11 An MIS/C^{V5} card in the master shelf communicates with and configures the entire DCD System via MIS/C^{V5} cards in the expansion shelves. An MIS/C^{V5} card must be installed in each expansion shelf that contains a Version 5 card. Each MIS/C^{V5} card in an expansion shelf configures the cards and retrieves the data for its shelf, and exchanges information with the MIS/C^{V5} card in the master shelf.

Table I. Cards Incompatible with Non-Version 5 MIS/C

CARD	PART NUMBER
MRC-EA/C ^{V5}	090-44010-56
MRC-EA/C ^{V5}	090-44010-56T
MRC-EA/C ^{V5}	090-44010-57
MRC-EA/C ^{V5}	090-44010-57T
EA10/C ^{V5}	090-44029-52
TO-EA5/C ^{V5}	090-44012-51
TO-EA5/C ^{V5}	090-44012-51T
PSM-E/C ^{V5}	090-44025-52
PSM-E/C ^{V5}	090-44025-52T
PSM-EA/C ^{V5}	090-44025-54
GTI/C (in LPR/C System) (Note 2)	090-44140-14 (Rev. E or later)
GTI/C (in LPR/C System) (Note 2)	090-44140-16
Notes: 1. To conduct communications external to the DCD System, an MIS/C must be installed in the master shelf. An SAI/C card may be used in place of an MIS/C card in expansion shelves. 2. This card may not be installed in a DCD-LPR/C System that is used with a DCD-521/C System that has an MIS/C card in its master shelf.	

5.12 The non-Version 5 MIS/C card allows TL1 commands to retrieve alarm information and certain status from the system. A non-Version 5 MIS/C card must be installed in the master shelf, and an SAI/C or non-Version 5 MIS/C card must be installed in each expansion shelf in the system from which alarm information is desired.

5.13 The various commands used to communicate with an MIS/C card are defined in the TL1 User's Guide (provided with each MIS/C card).

5.14 Output alarms from the TO cards, input reference alarms from the clock input cards, and fail alarms from any card in the shelf are sent to the MIS/C card on the shelf alarm bus. Status indicators, including clock loss and port alarms, are also monitored by the MIS/C card.

5.15 The MIS/C card activates status indicator (SI) outputs and audible and visual alarms according to the alarms received. An additional set of status leads on the backplane enables either a major, minor, or critical alarm in the event of a battery failure or a blown fuse.

Note: Major, minor, and critical alarm leads have both normally open (NO) and normally closed (NC) dry relay contacts. Major, Minor, and Critical Status Indicators have NO relay contacts only. All other status indicators are open-collector outputs between the SI lead and battery return (SR) lead. No voltage potential exists on the SI leads, therefore they can be used to interface external systems with negative voltages such as -48 V dc and -24 V dc.

5.16 Alarm battery supply is not required for the system. When dc power is lost to the shelf, the NC relays close, initiating an office alarm.

5.17 A front-panel ACO push button, when pressed, silences the audible alarm and lights the ACO lamp. The ACO push buttons on all shelves in the system have the same effect. An external lead on the shelf backplane is provided for remote ACO operation.

5.18 The MIS/C card in the master shelf communicates with an Operations Support System (OSS) for the entire DCD-521/C System. Version 5 cards in an expansion shelf must communicate with an MIS/C^{V5} located in the same expansion shelf. The MIS/C card has three RS-232 ports (COM1, COM2, and COM3).

Note: COM3 is an input port only. It does not provide autonomous alarm reports; it only provides response messages to input commands that are directed to that port.

5.19 The MIS/C card reports alarms (via autonomous messages) to the OSS in real time, and writes both alarms and events to a log. The log stores up to

256 messages and is accessed via TL1 language commands. Alarms are categorized by software as major, minor, and critical. Events are categorized as not alarmed or not reported.

5.20 The status of the shelf is available at the front panel lamps. A MAJOR, MINOR, or CRITICAL lamp lights to indicate that one of those alarms exists on the shelf. The FAIL lamp lights to indicate that the MIS/C card has failed. The ACO lamp lights when the ACO push button is pressed to silence an audible alarm before the alarm is cleared.

5.21 The MIS/C card includes a security feature that prevents unauthorized users from accessing TL1 commands. The security feature can be enabled and disabled by using a switch on the MIS/C card. When the switch is set to disable security, any user can access all TL1 commands; the user does not need a password to log on to the system and access commands.

5.22 When the switch is set to enable security, users must use a password to log on to the system and access commands. All TL1 commands are assigned an access level. When the security feature is enabled, the command access levels are enabled. Each authorized user is also assigned an access level. The user's access level allows that user to access only those commands that are at that level and below. Refer to the TL1 User's Guide (provided with each MIS/C card) for more information about the MIS/C security feature.

SSM Processing

5.23 MIS/C cards with software version 5.04 or higher have SSM processing capability. SSM operation is enabled by TL1 command via the MIS/C card. Refer to the TL1 User's Guide (provided with the MIS/C software) for more information on enabling SSM operation.

5.24 The MIS/C card manages the DCIM-EA/C card references for SSM operation. Through TL1 command, the MIS/C card provisions ports for SSM, sets the SSM interaction hold-off threshold time, sets DCIM-EA/C SSM port priority, and enables pseudo SSM operation for non-Version 5 clock input cards, MRC-EA/C cards, or digital or analog inputs not supporting SSM. Refer to the TL1 User's Guide for more information on MIS/C SSM operation through TL1 commands.

6. CLOCK INPUT CARD DESCRIPTIONS

A. CI-EA/C Card

6.01 Each CI-EA/C card uses a single E1 or analog (defined as G.703) input (2.048 Mb/s for E1 or 2.048 MHz for analog) as its timing reference. The reference signal connects to the CI-EA/C via a reference input module on the interface panel. Option switches on the card allow user-selection of the framing type of the input signal, and the input signal type as either digital E1 or analog. The PLXO produces an internal timing signal that is bused to the clock reference cards and the TO cards in the DCD-521/C System.

6.02 The CI-EA/C contains a control circuit that causes a switch to the redundant CI-EA/C if the active card fails. Input signal outages, PLL unlocks, excessive code violations, or loss of sync cause the system to switch CI-EA/Cs.

6.03 During normal operation with a rubidium clock, each clock is locked to its respective CI-EA/C card (A or B). If a CI-EA/C fails or is degraded, the source clock automatically switches to the other CI-EA/C which supplies both clocks until the failed reference is restored. If both CI-EA/C cards fail, the clocks will go into holdover mode.

6.04 During normal operation with a quartz clock, the source to the active clock is derived from either CI-EA/C card. In a normally operating, fully equipped shelf, the CI-EA/C card that was installed first is the source for the clock. If the source CI-EA/C card fails, the quartz clock uses the signal from the other CI-EA/C card. If both CI-EA/C cards fail, the clocks will go into holdover mode.

6.05 On quartz clock systems, transfer between CI-EA/C cards can be manually initiated by pressing the front-panel XFR switch on either CI-EA/C card.

6.06 On rubidium clock systems, clock A is locked to clock input A and clock B is locked to clock input B, therefore, switching between clock input cards is not possible. The TNC/TNCE switch on the backplane determines whether the CI-EA/C cards operate in the rubidium clock mode or the quartz clock mode.

B. CI/C Card

6.07 Two CI/C cards provide input signal redundancy. Each CI/C card uses one CC or one DS1 in-

put as its timing reference. A switch on the CI/C card selects the type of input and the framing format (if DS1) of the input timing signal. Front panel lamps (CC and DS1) show which type of input is present.

Note: The CC input from an existing office clock is used for Stratum-3 applications only; TNC-E/C, TNC/C, or LNC/C clock cards *must not* be fed with CC input.

6.08 The DS1 input can be either a terminated signal or a low-level (bridged) signal via the built-in bridging amplifier. Refer to the Installation section of this manual for recommended bridging connections.

6.09 Under normal operating conditions, CI/C A drives clock card A, and CI/C B drives clock card B. Both input reference signals are simultaneously monitored, and if an input fails, the clock card automatically switches to the other CI/C card, which then supplies both clock cards until the failed reference is restored. The SOURCE ACTIVE lamp on the front panel indicates which CI/C card is active.

Note: Both CI/C cards are active if the system is configured with redundant TNC-E/C cards (operating in TNC-E mode). Only one CI/C card is active in systems with TNC/C cards. This is determined by the TNC/TNC-E switch on the backplane.

6.10 The CI/C card contains a source control circuit that causes the card to switch to the redundant CI/C card if the primary card (defined as the card currently in operation) fails.

6.11 On quartz clock systems, transfer between CI/C cards can be manually initiated by pressing the front-panel XFR switch on either CI/C card. The switch function is also available for remote control.

6.12 On rubidium clock systems, clock A is locked to clock input A and clock B is locked to clock input B, therefore, switching between clock input cards is not possible.

6.13 If both CI/C cards fail, the clock cards go into holdover mode, and the system automatically uses the active clock card.

C. ACI/C Card

6.14 The ACI/C card performs the same functions as the CI/C card, except its input reference signal is analog instead of digital. The ACI/C card accepts analog inputs of 1 MHz, 2 MHz, 5 MHz, or 10 MHz. A frequency control circuit reads the frequency-select switches, lights the appropriate front-panel lamp (1 MHz, 2 MHz, 5 MHz, or 10 MHz), and sends a frequency-control signal to the clock recovery circuit.

6.15 If input signal problems continue, the ACI/C initiates a transfer to the other ACI/C card. The SRC ACT lamp lights on the active card (the one supplying timing). If the other card also cannot supply timing, the clocks go into holdover.

6.16 On quartz clock systems, transfer between ACI/C cards can be manually initiated by pressing the front-panel XFR switch on either ACI/C card.

6.17 On rubidium clock systems, clock A is locked to clock input A and clock B is locked to clock input B, therefore, switching between clock input cards is not possible.

D. DCIM-EA/C Card

6.18 Each DCIM-EA/C card has connections for two external reference source inputs.

6.19 A VCXO produces an internal timing signal which is locked to the active input reference. The 4 kHz reference is derived from the VCXO, which is bused to the clock and TO cards in the DCD-521/C System.

6.20 DCIM-EA/C cards accept either 2.048 Mb/s E1 or 2.048 MHz analog signals. The inputs can be either with or without SSM.

6.21 A switch on the DCIM-EA/C card selects the type of input and the framing format of the input timing signal on a per port basis.

6.22 The user can program the framing format, using the MIS/C interface and TL1 commands. Refer to the TL1 User's Guide for information regarding these commands.

6.23 Each input can be either a terminated signal or a low-level (bridged) signal via the built-in bridging amplifier. Refer to the Installation section of this manual for recommended bridging connections.

6.24 The FAIL lamp on the DCIM-EA/C card lights red to indicate that the card failed.

6.25 There is a separate front-panel REF lamp for each reference source, and each lamp indicates the status of the corresponding reference input. The REF lamps light green when an input is enabled and has passed error check. The REF lamps light red when an input is enabled and fails the error check (high CRC, OOF, BPV, AIS, or LOS). The REF lamps do not light if the associated input is not enabled.

6.26 There is a separate front-panel STAT lamp associated with each input reference. Green indicates the input is providing a reference signal to the VCXO.

Performance Monitoring of Digital Parameters

6.27 The DCIM-EA/C card scans each enabled input to monitor transmission and performance parameters. Each input is sampled every second. Spans that are not enabled are not checked. Scanning continues to cycle through the active inputs while the card is powered.

6.28 The DCIM-EA/C reports an event when the transmission event count exceeds the assigned threshold. The factory-set thresholds are as follows:

- Alarm indication signal (AIS): 1
- Bipolar violations (BPV): 16
- Cyclic Redundancy Check (CRC): 16
- Loss of signal (LOS): 1
- Out of frame (OOF): 1

6.29 The OOF and AIS counts represent the number of errored seconds for each event during the time the DCIM-EA/C scans the input. The BPV and CRC counts represent the actual number of errors counted while the input is being scanned. All thresholds except LOS are user-configurable, and the report given when a threshold is exceeded can be changed from a condition to an alarm.

6.30 The monitored parameters and calculated values are stored in ninety-six 15 minute bins. The bins are first-in, first-out (FIFO) so that when the 97th interval is completed, the oldest stored 15 minute

data is overwritten. The data in these bins is the 1 minute averaged raw phase values. Therefore, a 15 minute bin will contain 15 data points.

6.31 Performance data is collected only for inputs that have been enabled by card switches or TL1 command. If the DCIM-EA/C card is removed from the shelf, all error counts and stability measurement data registers are set to zero.

Non-SSM Operation

1 + 1 Mode

6.32 In this mode, the two DCIM-EA/C cards function as a single card with four inputs. Only one of the four inputs is used to provide a reference for the shelf. Therefore, only one DCIM-EA/C card is active at a time.

6.33 Priorities can be assigned to the four inputs in any order, or all inputs can be assigned the same priority, or any combination thereof (1 is the highest priority).

6.34 If the same priority is assigned to multiple inputs (where no other inputs have a higher priority), the first signal to be qualified is used. If this signal fails, another input with the same priority is used. If the disqualified signal is requalified, the system does not switch back to the requalified signal because the requalified signal has the same priority. This is the nonrevertive feature.

6.35 If different priorities are assigned to the inputs, the highest priority signal is used. If the highest priority signal fails, the next-highest priority signal is used. If the disqualified signal is requalified, the system reverts to the requalified signal. This is the revertive feature.

Stand-alone Mode

6.36 In this mode, each DCIM-EA/C card operates as a single card with two inputs. Each card uses the input with the highest priority. If the TNCE/TNC switch is in the TNCE position, each DCIM-EA/C card supplies a reference signal to the corresponding clock card.

6.37 If one of the DCIM-EA/C cards fails or both of the inputs on a card are disqualified, the remaining DCIM-EA/C card provides a reference to both clock cards.

6.38 If the TNCE/TNC switch is in the TNC position, one of the DCIM-EA/C cards is used (active) at a time with that DCIM-EA/C card supplying both clock cards.

The active card can be changed by pressing the XFR push button switch on either DCIM-EA/C card front panel.

6.39 The inputs can operate in revertive or nonrevertive mode, depending on priorities assigned.

SSM Operation

6.40 If two DCIM-EA/C cards are installed, up to four inputs are available. However, only one DCIM-EA/C card is active at a time. The input with the highest SSM quality level signal is always used. If multiple signals have the same highest SSM quality level, the input with the highest priority is used.

6.41 If multiple inputs have the same highest SSM quality level, and the same priority, and if the active signal is disqualified or reduces its SSM quality level, another signal with the same highest quality level is used. If the signal is requalified, or returns to its original quality level, the system does not switch back to the requalified signal (nonrevertive).

6.42 The following can be achieved through TL1 commands (refer to the TL1 User's Guide for information regarding these commands):

- Provision ports for digital operation with a specific framing option
- Provision ports supporting and not supporting SSM
- Set the wait-to-restore delay
- Set the SSM interaction hold-off threshold time
- Set the SSM port priority when more than one port is active
- Retrieve the current SSM message on particular ports on a specific DCIM-EA/C card
- Switch active port status on a port with a lower-quality value, and also release the forced condition
- Enable pseudo SSM operation and assign quality levels to non-Version 5 clock input cards, MRC-EA/C cards, or digital or analog inputs not supporting SSM

E. MRC/C Cards

6.43 The MRC/C cards include the MRC-EA/C, MRC-EA/C^{V5}, and MRC-T/C cards. Each MRC/C card has connections for four external reference source inputs, and contains two internal uncorrected reference sources to use as a timing reference source. The MRC-EA/C and MRC-EA/C^{V5} cards can be switch-selectable to accept either 2.048 Mb/s E1 or 2.048 MHz analog signals; the MRC-T/C cards accept 1.544 Mb/s DS1 signals. Framing on MRC-T/C inputs can be set manually or to automatically detect the framing type.

6.44 An MRC-EA/C card communicates with the MIS/C card to configure the input port priority, and report status and alarm information to the MIS/C card.

6.45 An MRC-EA/C^{V5} card works with an MIS/C^{V5} card to configure input port priority, report status and alarm information, and enable and disable status and alarm reporting to the MIS/C^{V5} card. Additional status and alarm information is provided with the MRC-EA/C^{V5} card. This card provides status of the 4 kHz reference clock and an MIS/C communication loss alarm.

6.46 If the incoming framing pattern changes, the MRC-T/C card automatically recognizes the new framing format. During this framing period, the MRC-T/C declares excessive OOF errors on the input until the MRC-T/C can lock to the framing format, at which time it will declare the input good by lighting the front-panel REF lamp green for that input.

6.47 The user may program the framing format, using the MIS/C interface and TL1 commands. Refer to the TL1 User's Guide for information regarding these commands.

6.48 Through internal connections, the MRC/C card also uses the free-running oscillator in the clock cards (rubidium for TNCE/C, quartz for TNC/C). The MRC/C continuously measures and utilizes six signals (four external plus two internal).

6.49 Under normal operating conditions, each MRC/C card simultaneously acts as a time scale generator and reference monitor. With at least three usable references available (and at least two are independent), the MRC/C card performs a majority vote, and determines whether a reference is acceptable.

6.50 References considered "usable" (for majority vote) are those inputs (external and internal) whose REF lamp is lit green. References considered independent for majority vote are network, cesium, or backfed rubidium signals from the TNCE/C oscillator.

6.51 Majority vote begins with the MRC/C card continuously scanning all of its active internal (backfed ST signals) and external references. While scanning the references, the MRC/C card gathers raw phase data and calculates the average frequency for each active reference. A matrix of usable references, versus all references, is created and a pair-wise comparison is made between all valid combinations of inputs. From this matrix, an average frequency difference is calculated for each pair. This difference is used to disqualify individual references. Each input has been given a threshold value based on its input type. These values are: GPS, LORAN-C, cesium at 5×10^{-10} , rubidium at 2×10^{-9} , and network at 1×10^{-8} .

6.52 In the process of calculating the frequency difference for each pair, the threshold for disqualification is the sum of the individual input thresholds. For example, when comparing rubidium to cesium, the threshold for the pair is: $5 \times 10^{-10} + 2 \times 10^{-9} = 2.5 \times 10^{-9}$. If a system is equipped with MRC/C and TNC-E/C cards, and has multiple network feeds into each MRC/C card, the MRC/C card will disqualify a network feed if the frequency offset is greater than allowed. Each pass of the majority vote algorithm takes approximately 30 seconds. It takes up to approximately 60 seconds to confirm that the input is out of tolerance.

6.53 If the conditions for majority vote are not met (e.g., insufficient inputs), and there is still a "usable" external reference available, the MRC/C card will revert to "CI" mode. In this mode, the MRC/C card locks to the highest priority input that is declared good, and operates similar to the CI/C card (for information regarding CI/C card operation, refer to Part 5B, CI/C Card). However, under this condition, the MRC/C card does not perform majority vote. If a reference fails due to excessive errors, LOS, etc., while in this mode, the MRC/C card will automatically switch to the next available highest priority input. The output signal is maintained, regardless of its "quality."

6.54 If all external references have been voted out, the MRC/C card will also revert to "CI" mode and continue to use the highest priority input. The

MRC/C card will continue to monitor the inputs to requalify those that begin meeting the frequency off-set thresholds.

6.55 Two sets of switches are available on the MRC/C card to set the following parameters:

- Whether the references (1 through 4) are disabled or enabled
- The input type and priority level. Setting the reference type also determines the input priority. References are treated with the following priority:
 - a. GPS (priority level 1)
 - b. LORAN (priority level 2)
 - c. Cesium (priority level 3)
 - d. Network (priority level 4)

Note: Priorities should not be set by setting “incorrect” input types, that is, for Network to be priority 1, it cannot be identified as GPS; attempting to redefine input priority by changing its type, via card switches, will cause a malfunction of the MRC/C card. However, this priority scheme may be changed via TL1 commands issued through the MIS/C card.

6.56 If the same reference type is designated for more than one input, the input number decides the priority level. For example, if inputs 2 and 3 are both designated GPS, input 2 would have higher priority. This priority scheme may be changed via TL1 commands issued through the MIS/C card.

6.57 When the MRC/C card is power cycled, it will revert to its switch settings unless an MIS/C card is present in the shelf. The MIS/C card stores all option data for the MRC/C card. If an MRC/C card is replaced or power cycled with an MIS/C card present in the shelf, the MIS/C card will download the previously stored MRC/C card options for that slot. To configure the MRC/C card to revert to the switch, instead of to previously stored options, remove the MIS/C card. Once the MRC/C card test has been completed, reseal the MIS/C card. This will cause the MRC/C card to upload its switch settings as the current configuration.

6.58 The MRC/C card performs hitless switching between inputs if the clock cards are present and the

signal is good. If the active input to an MRC/C card fails, it will automatically switch to the next highest priority input that is declared good. When the failed input is declared good, the MRC/C card will automatically switch back to it to keep the input priorities in order.

6.59 The FAIL lamp on the MRC/C card lights red to indicate that the MRC/C power supply has failed, or diagnostic self-tests have failed.

6.60 Front panel REF input lamps indicate reference input stability; green indicates the input is enabled and good, red indicates input has failed due to LOS or excessive error counts, and no lamp indicates the input has not been enabled.

6.61 Front panel STATUS input lamps indicate the reference stability state input; green indicates the input has been selected as the reference, yellow indicates input is over stability threshold, and no lamp indicates the input is within stability threshold for its reference type. A flashing green and yellow STATUS lamp indicates that the MRC/C card has disqualified its last “usable” reference due to majority vote, but is continuing to use that reference for its output.

6.62 If due to excessive errors or LOS, all four inputs fail to the active MRC/C card, an automatic switch occurs to the other MRC/C card, which then supplies both clock cards with a clock signal until the failed reference(s) is restored. The SRC ACTIVE lamp on the front panel indicates which MRC/C card is active.

6.63 Both MRC/C cards are active if the system is configured with at least one TNC-E/C card. Only one MRC/C card is active in systems with TNC/C cards. The different modes are determined by the TNCE/TNC switch on the backplane. When the shelf is equipped with 090-44010-08, -09, -57, and -57T MRC/C cards, the TNCE/TNC switch must be in the TNCE position.

6.64 The MRC/C card performs a sampled error check on all provisioned inputs to monitor error parameters for: LOS, OOF, CRC, AIS, and BPV. Once completed, error checking on the next enabled span begins. This procedure is repeated until all references to the MRC/C card are monitored, and then starts over on the first input.

6.65 If high error counts exceeding thresholds are found, the reference is declared unacceptable, and the MRC/C card switches to the next highest priority input that is acceptable.

6.66 Each MRC/C card is shipped with factory set thresholds for each digital error parameter; the factory settings are:

- Out of frame (OOF): 4
- Alarm indication signal (AIS): 4
- Bipolar violations (BPV): 16
- Cyclic redundancy check (CRC): 16
- Loss of signal (LOS): 1

6.67 OOF and AIS counts represent the number of errored seconds for each event while scanning the inputs. BPV and CRC counts represent the actual number of errors counted for each event while scanning the inputs. LOS is an actual count of loss-of-signal events. An event is defined as a transition from signal to LOS. All thresholds, except for LOS, may be user-configured to meet specific network requirements via the MIS/C card and TL1 commands.

6.68 If both MRC/C cards fail, the clock cards go into holdover mode, and the system automatically uses the active clock to provide timing to the output cards.

6.69 If the TNCE/TNC switch on the backplane is in the TNCE position, transfer between MRC/C cards can be manually initiated by pressing the front-panel XFR switch on either MRC/C card.

6.70 If the TNCE/TNC switch on the CEP is in the TNCE position, the XFR switch does not function.

Note: Each MRC/C card takes approximately 45 minutes after power-up to complete oscillator characterization. During this warm-up period, it is possible to receive errant fractional frequency disqualification messages for either the clock card or external inputs, or both. All other MRC/C card functions operate normally. After the 45 minute warm-up period, the MRC/C begins normal operation. If fractional frequency disqualification messages are then listed, respond as appropriate.

Note: If a clock card is reseated or installed for the first time after the MRC/C card has completed the warm-up period, the MRC/C card resets its 45 minute counter for the oscillator in question.

7. CLOCK CARD DESCRIPTIONS

A. TNC-E/C Card

7.01 The TNC-E/C clock card provides a stable reference to drive the timing output cards. The essential element of the TNC-E/C card is a rubidium atomic oscillator with a 24 hour holdover stability that exceeds most required specifications. The oscillator is calibrated over a wide temperature range to provide additional stability during ambient temperature variations.

7.02 TNC-E/C cards are normally configured to function as a pair. The TNC-E/C A card receives its reference from clock input A, and the TNC-E/C B card receives its reference from clock input B.

7.03 During normal operation, each TNC-E/C card is locked to its respective clock input card (A or B). A reference signal generated by the clock input cards is passed to the clock cards via the backplane bus. The clock then samples and averages the reference input and updates a control register. During this process, the values are adjusted for the current temperature. Network wander filtering is achieved by this process, in combination with microprocessor filtering.

7.04 Each TNC-E/C card monitors the frequency of the other TNC-E/C card's output signal and compares it to the clock input card signals. If an out-of-range level is detected, the TNC-E/C card identifies whether the reference is drifting with respect to the TNC-E/C clock.

Note: The TNC-E/C card remains active and tracks the respective input. If a problem is detected on the output, the SRC A or SRC B lamp, depending on which card has the problem, will function as follows:

- If the TNC-E/C card is tracking the output of the clock input card, the lamp lights green.
- If the reference from the clock input card is disqualified (clock signal is out of tolerance), the lamp lights red.

- If the reference from the clock input card is missing, the lamp goes off.
- If the reference from the clock input card is drifting (drift exceeds 1×10^{-9} within 5 minutes), the lamp flashes green.

7.05 The TNC-E/C card provides extensive fault tolerance and diagnostic utilities provided by the rubidium control system working with the DCD Shelf. The TNC-E/C card also has the capability to inter-work with Symmetricom's DCD-LPR System to provide PRS performance.

7.06 A TR-1244 control loop ensures that all rearrangement activity of the clock input cards or the TNC-E/C cards is performed without hits on the internal reference bus. If an input reference signal fails to meet TNC-E/C card input tolerance requirements, the secondary source will be selected. This action will not result in a phase movement at the output. Finally, if all available reference signal inputs are not within the pull-in range, the TNC-E/C card enters its holdover state.

Note: TR-1244 is a Telcordia standard defining DCD clock filtering and performance requirements for high performance networks such as SONET or SDH.

7.07 When the TNC-E/C card enters holdover, the 24 previous 1 hour averages are retrieved from a data history file. Any single 1 hour average that is out of tolerance is discarded and the remaining are averaged with the current temperature value to establish a holdover value for the synthesizer.

7.08 The output of the TNC-E/C card is controlled by a frequency synthesizer. Any frequency difference between the TNC-E/C card and the reference generates a change in the synthesizer frequency that moves the output toward a frequency difference of zero. If all reference outputs are precisely matched, no correction is given to the synthesizer.

Note: None of the frequency and phase comparisons are made with only one TNC-E/C card installed.

7.09 The OSC lamp flashes green if the card requires factory maintenance (flashes for approximately 2 weeks—after which, the card fails and the output is disabled). The OSC lamp lights red if the oscillator has failed (disables the TNC-E/C card out-

put). To avoid the failure mode, replace the card when the OSC lamp flashes green. Normal mode is indicated when the OSC lamp is off.

7.10 All status lamps on the TNC-E/C card front panel are duplicated as ALARM status leads on the shelf backplane. A switch option on the shelf backplane is provided to enable either major or minor alarm status when both TNC-E/C card clocks are in holdover mode.

7.11 With both input cards installed, each TNC-E/C card indicates an active status. In addition, each TNC-E/C card indicates that it is using one of the two possible inputs by lighting the respective SRC A or SRC B lamp. The output cards select the TNC-E/C card in the ST A slot as the preferred clock. The TNC-E/C card in the ST B slot becomes the preferred clock only if one of the following conditions occur:

- a. The TNC-E/C card in the ST A slot fails.
- b. The TNC-E/C card in the ST A slot is removed.
- c. The DSBL push button switch on the TNC-E/C card faceplate in the ST A slot is pressed (this switch is hidden by the CAUTION label, and may be pressed only if the card is going to be removed—once the switch is pressed, the output is disabled for up to 20 minutes).

Note: The DSBL push button on the TNC-E/C card installed in the ST B slot does not function (the card in the ST B slot cannot be disabled).

7.12 The outputs from both TNC-E/C cards and both clock input cards are available to the timing output cards for selection based on preset priorities (refer to Table E for priorities).

B. TNC/C Card

7.13 The TNC/C clock card provides a stable reference to drive the TO cards. TNC/C cards are normally configured to function as a pair.

7.14 During normal operation, each TNC/C card is locked to its respective clock input card (A or B). A 4 kHz reference signal generated by the clock input cards is sampled for 5 minutes and averaged. At the end of the 5 minute period, a new averaged value is given to the synthesizer. This 5 minute value is combined with the 12 previous 5 minute samples and ad-

justed for the current temperature. Network wander filtering is achieved by this process, in combination with microprocessor filtering.

7.15 The output of the TNC/C card is controlled by a 17-bit frequency synthesizer. Any frequency difference between the TNC/C card and the reference generates a change in the synthesizer frequency that moves the output towards a frequency difference of zero. If all reference outputs are precisely 4 kHz, no correction is given to the synthesizer.

7.16 If problems are detected in the TNC/C card, the TNC/C card initiates a transfer to remove the bad card from the DCD System. All transfers, clock input and TNC/C cards, are performed without hits on the internal reference bus by transferring the phase information to the backup card. If an input reference signal fails to meet TNC/C card input tolerance requirements, the secondary source will be selected. This action results in a phase movement within standards at the output. Finally, if all available reference signal inputs are not within the TNC/C card pull-in range, the TNC/C card enters holdover mode.

7.17 When the TNC/C card enters holdover mode, the 36 previous 1 hour averages are retrieved from a history file in RAM. The most recent 12 are discarded and the remaining 24 are averaged with the current temperature value to establish a holdover center frequency value for the synthesizer.

7.18 If, for any reason, the processor detects that maintenance is required on the TNC/C card, the REF lamp flashes (depending upon which reference the TNC/C card is locked to—REF A or REF B). A minor alarm is issued. The alarm may be retired by pressing the XFR front-panel push button. The REF lamp continues to flash, indicating that maintenance is required.

7.19 All status lamps on the TNC/C front panel are duplicated as ALARM status leads on the shelf backplane.

C. LNC/C Card

7.20 The LNC/C card provides a stable reference to drive the TO cards. During normal operation, the input to the LNC/C card is derived from clock input card A or clock input card B. In a normally operating, fully equipped shelf, the LNC/C card uses the signal from the clock input card that was installed first. If

the card in the MR A slot fails or is not equipped, the LNC/C card uses the signal from the card in the MR B slot. The input reference (REF) may be manually switched by pressing the transfer (XFR) push button on either clock input card.

7.21 The output stays locked to the reference input as long as the following conditions exist:

- Input reference signal is within the pull-in range.
- The maximum frequency step of the input reference signal is less than the input tolerance.
- The rate of change (slope) of the input reference is less than the input tolerance.

7.22 The internal synthesizer contains a frequency adjustment range to accommodate temperature and aging variations over the service lifetime of the card. Changes to the synthesizer are in frequency steps, which allows the synthesizer to act as an “electronic flywheel” and buffer the phase and frequency changes of the input.

7.23 If the input reference signals are either unavailable or out of range, the LNC/C card will change state and enter a holdover mode. The last 24 hours of input frequency samples are stored, averaged, and continuously updated. The synthesizer uses this value, which is known to be good, as the clock center frequency. When the input signals are restored and lock is achieved, the LNC/C card exits the holdover mode.

7.24 Fault tolerance is achieved in the DCD Shelf by using redundant clock input signals (via paired clock input cards) and redundant LNC/C cards. If one of the clock input cards or reference signals fails, the LNC/C card automatically switches to the signal from the other clock input card.

7.25 The outputs from both LNC/C cards and both clock input cards are available to the TO cards for selection based on preset priorities.

8. TIMING OUTPUT CARD DESCRIPTIONS

A. EA10/C Card

8.01 The EA10/C card provides 10 E1 output signals with framing, or 10 analog output signals at 2.048 MHz. Each output can be set to digital or ana-

log signals independently by TL1 commands, or in groups of five outputs by switch settings. The EA10/C card can be used as a stand-alone output card, or can be paired with an adjacent EA10/C card to provide redundant-pair (1:1 or 1+1) outputs.

8.02 EA10/C cards communicate with an MIS/C^{V5} card, which provides full messaging, status reporting, and configuration control.

Stand-alone Configuration

8.03 The card obtains the timing signal from the DCD internal timing bus (clock card A, clock card B, clock input A or clock input B), according to the priority in Table E. If no input timing signals are present, the EA10/C card turns off its ST and INP lamps, lights the FAIL lamp, and squelches its outputs.

8.04 Framing format (CAS or CCS with or without CRC4) is set by card switches or TL1 commands. Front panel lamps indicate the selected framing format for each card.

8.05 Switches or TL1 commands select the timing signal type (E1 or analog). The E1 or analog timing signal is applied to each port driver and sent through an impedance-matching transformer to the output connector.

8.06 A switch or TL1 commands set the port alarm severity to minor or major for the card. An alarm on any port generates the alarm selected. A port alarm is detected only for the failure of the port hardware on the card.

8.07 A switch or TL1 commands sets the card for revertive or nonrevertive switching of the input timing signals. When the card is configured for nonrevertive switching, the four sources on the internal bus are separated into the following groups:

- Clock source group (ST A and ST B)
- Clock input source group (CI A and CI B)

8.08 In nonrevertive mode, the EA10/C card minimizes input reference switching by not reverting to a previous reference source within the same group. For example, the EA10/C card switches to the ST B reference if ST A fails. The EA10/C card does not revert to ST A when ST A is restored, because the EA10/C card is using a signal in the clock source

group. The reference switches to CI A if both ST A and ST B fail. If the EA10/C card is using the CI A reference and one of the sources in the clock group is restored, the EA10/C card reverts to the highest available source (ST A or ST B) in the clock source group.

8.09 When the EA10/C card is configured for revertive switching, the highest available source is always used (refer to Table E for a prioritized list of the input timing signals). If any source fails, the EA10/C card switches its reference to the source that is next in priority. If any higher priority source is restored, the EA10/C card switches its reference to that source.

1:1 Output Protection Configuration

8.10 A 1:1 pair must be installed in one of the following slot pairs: TO1&TO2, TO3&TO4, TO5&TO6, or TO7&TO8. A double-wide output module must be installed on the interface panel. If the paired cards are configured to communicate with an MIS/C card, switch settings and TL1 parameters for both cards in the pair must be identical. If the paired cards are not configured to communicate with an MIS/C card, only the switch settings for both cards in the pair must be identical. Both cards in the pair must be using the same input reference from the internal DCD timing bus. A pair of EA10/C cards provides ten timing outputs. Each EA10/C card in the pair performs all the functions of the EA10/C card in a stand-alone configuration, plus communication with the other card in the pair and with the MIS/C^{V5} card.

8.11 In a 1:1 pair, one card is active and the other card squelches its outputs. If the active card fails, the mate becomes the active card, minimizing disruption to the timing outputs.

8.12 The EA10/C card in the odd-numbered slot of the pair checks for a card in the even-numbered slot. If a card exists, the card in the odd-numbered slot checks for compatible hardware and software revisions, and checks for identical operating parameters, including port output settings. The card in the even-numbered slot checks for a compatible card in the odd-numbered slot. The card in the odd slot becomes the active card of the pair.

8.13 When the internal EA10/C card checks have been completed, a switch setting determines whether timing outputs are immediately enabled, or whether TL1 commands enable the outputs.

8.14 If either EA10/C card finds that its mate is not compatible or does not exist, the EA10/C card will not become active until the user intervenes. If the EA10/C card is configured to communicate with an MIS/C card, the MIS/C card sends an error message. The EA10/C card resumes functioning after the user sends appropriate commands, or after a compatible card is installed in the other slot.

8.15 Both cards in the pair can be configured to communicate configuration, status, and alarm information to an MIS/C^{V5} card.

1+1 Output Protection Configuration

8.16 A 1+1 redundant pair must be installed in one of the following slot pairs: TO1&TO2, TO3&TO4, TO5&TO6, or TO7&TO8. Switch settings and TL1 parameters for both cards in the pair must be identical if the cards are configured to communicate with an MIS/C card. If the cards are not configured to communicate with an MIS/C card, only the switch settings for both cards must be identical. Both cards in the pair must use the same input reference from the internal DCD timing bus. A double-wide output module must be installed on the I/O panel.

8.17 In a 1+1 pair, the timing signals from each card are attenuated so that the combined output at the interface module is the correct power level. Each EA10/C card in the 1+1 pair performs all the functions of a card in a stand-alone configuration, plus communication with the other card in the pair and with the MIS/C^{V5} card. Each pair of EA10/C cards provides ten timing outputs.

8.18 If a card fails, the outputs of that card are squelched and the mate increases the power on its outputs, minimizing disruption to the timing outputs.

8.19 Power-up and fault detection actions are the same as for the 1:1 card pair.

B. EA10M/C Card

8.20 The EA10M/C card generates SSM messages in addition to performing all of the functions of the EA10/C card. The MIS/C card determines the correct SSM message to send, and commands the EA10M/C card to relay that message. If the MIS/C card fails or is removed, the EA10M/C card sends a predefined SSM message.

C. TOAA/C Card

8.21 The TOAA/C card provides 2 sine wave outputs with selectable frequencies at various voltage levels and impedances. Four different TOAA/C cards are available (090-44022-01, -02, and -05; and 090-44028-10).

8.22 The TOAA/C 090-44022-xx card outputs are fed to the MMP equipped with a BNC output kit for each TOAA/C card installed. A selection of plug-in, level-coordinating attenuators are provided with the BNC output kit. Ideally, the level should be attenuated at the terminating end of the cable.

8.23 The TOAA/C 090-44028-10 card outputs are available on the front panel of the card.

D. TOCA/C Card

8.24 The TOCA/C card provides 10 composite clock timing outputs.

8.25 The card obtains the timing signal from clock card A or B, or clock input A or B bus, according to the priority in Table E. If no input timing signals are present, the TOCA card turns off its ST and INPUT lamps, lights the FAIL lamp, and mutes the outputs.

8.26 The outputs are fed to the interface panel (if configured with an MMP, the MMP must be equipped with the appropriate output kit, one for each TOCA/C card installed).

E. TOGA/C Card

8.27 The TOGA/C card provides ten 2.048 MHz outputs. A source select circuit obtains the timing signal from clock card A or B, or clock input A or B bus, according to the priority in Table E. If no input timing signals are present, the TOGA/C card turns off its ST and INPUT lamps, lights the FAIL lamp, and mutes the outputs.

8.28 A PLL circuit reconstitutes the internal timing signal. The switch-selectable cable compensation settings are transferred to the spare TOGA/C card during protection switching. The reconstituted timing signal is then applied to each port driver and sent through an impedance-matching transformer.

8.29 The outputs are fed to the interface panel (if configured with an MMP, the MMP must be equipped with the appropriate output kit, one for each TOGA/C card installed).

F. TO-EA5/C Card

8.30 The TO-EA5/C card provides ten E1 output signals with framing, or ten 2.048 MHz G.703 output signals. Each output can be set to digital or 2 MHz signals independently. The TO-EA5/C card can be used as a stand-alone output card, or can be paired with an adjacent TO-EA5/C card to provide redundant (1:1 or 1+1) outputs.

8.31 The TO-EA5/C cards communicate with an MIS/C^{V5} card, which allows configuration of operating parameters and retrieval of status and alarm information for the TO-EA5/C cards in a shelf.

Stand-alone Configuration

8.32 The card obtains the timing signal from clock card A or clock card B, or clock input A or B, according to the priority in Table E. If no input timing signals are present, the TO-EA5/C card turns off its ST and INP lamps, lights the FAIL lamp, and squelches the outputs.

8.33 Framing format (CAS or CCS with or without CRC4) is set by card switches or TL1 commands issued through the MIS^{V5} card. Front panel lamps indicate the selected framing format on a per-card basis.

8.34 Card switches or TL1 commands select the timing signal type (E1 or analog). The E1 or analog timing signal is applied to each port driver and sent through an impedance-matching transformer to the output connector.

8.35 A switch or TL1 commands can set the port alarm severity to minor or major for the card. Any port alarm generates the alarm selected.

8.36 The TO-EA5/C card can be configured (via switches or TL1 commands) for revertive or nonrevertive switching of the input timing signals. When the card is configured for nonrevertive switching, the four sources on the internal bus are separated into the following groups:

- Clock source group (ST A and ST B)
- Clock input source group (CI A and CI B)

8.37 In nonrevertive mode, the TO card minimizes input reference switching by not reverting to a previous reference source within the same group. For example, the TO card switches to the ST B reference if ST A fails. The TO card does not revert to ST A when ST A is restored, because the TO card is using a signal in the clock source group. The reference switches to CI A if both ST A and ST B fail. If the TO card is using the CI A reference and one of the sources in the clock group is restored, the TO card reverts to the highest available source (ST A or ST B) in the clock source group.

8.38 When the TO card is configured for revertive switching, the highest available source is always used (refer to Table E for a prioritized list of the input timing signals). If any source fails, the TO card switches its reference to the source that is next in priority. If any higher priority source is restored, the timing output card switches its reference to that source.

1:1 Output Protection Configuration

8.39 The TO-EA5/C card 1:1 output protection configuration consists of two TO-EA5/C cards installed in adjacent slots, and a double-wide interface module installed on the MMP. Switch settings and TL1 parameters for both cards in the pair must be identical. Both cards in the pair must be using the same input reference from the internal DCD timing bus. Each TO-EA5/C card in the 1:1 pair performs all the functions of the TO-EA5/C card in a stand-alone configuration, plus communication with the other card in the pair and with the MIS/C^{V5} card. Each pair of TO-EA5/C cards provides ten timing outputs.

8.40 In a 1:1 pair, one card is active and the other card squelches its outputs. If the active card fails, the mate becomes the active card, minimizing disruption to the timing outputs.

8.41 The card in the odd-numbered slot becomes the active card, and the card in the even-numbered slot becomes the standby card. The active card verifies that the pair have compatible hardware and software revisions, and identical operating parameters, including port output settings.

8.42 Timing outputs are not available until PLLs on both cards are locked. When the internal TO-EA5/C card checks have been completed, a

switch setting determines whether timing outputs are immediately enabled, or whether TL1 commands enable the outputs.

8.43 When a fault is detected, both the active and standby cards determine if the fault is local, or with the other card, or external to the cards. In general, if one of the paired cards is faulty, the fault-free card becomes the active card. For example, if an active card in the odd-numbered slot detects local faults and the standby card is free of faults or contains faults with less severity, the card in the even-numbered slot becomes the active card.

8.44 The card in the even slot remains the active card until the card faults or all of its ports have failed. If the card in the odd-numbered slot does not have a major alarm, the card in the odd-numbered slot becomes the master and active card again. If not, or if both cards detect MAJOR alarms, all timing outputs are disabled and the cards are removed from service.

1+1 Output Protection Configuration

8.45 The TO-EA5/C card 1+1 output protection configuration consists of two TO-EA5/C cards installed in adjacent slots, and a double-wide interface module installed on the MMP. Switch settings and TL1 parameters for both cards in the pair must be identical. Both cards in the pair must be using the same input reference from the internal DCD timing bus. Each TO-EA5/C card in the 1+1 pair performs all the functions of the TO-EA5/C card in a stand-alone configuration, plus communication with the other card in the pair and with the MIS/C^{V5} card. Each pair of TO-EA5/C cards provides ten timing outputs.

8.46 The timing signals from each card are attenuated so that the final combined output from the interface module is the correct power level.

8.47 Power-up and fault detection actions are the same as for the 1:1 card pair.

G. TO-EA/C Card

8.48 The TO-EA/C card may be used in stand-alone operation, or in redundant-pair (1+1) output protection. The card provides ten outputs, either 2.048 Mb/s E1 outputs with CAS or CCS formats (with or without CRC-4), or ten 2.048 MHz G.703 outputs, or any combination of digital or analog outputs.

8.49 The card obtains the timing signal from the DCD internal timing bus (clock card A, clock card B, and clock input A or clock input B), according to the priority in Table E. If no input timing signals are present, the TO-EA/C card turns off its ST and INP lamps, lights the FAIL lamp, and squelches the outputs.

8.50 The reference input is fed into a PLL circuit, and the reconstituted signal is sent to framing and analog circuit generators; framing format (CAS or CCS with or without CRC4) is set through card switches. Front panel lamps indicate the selected framing format.

8.51 From the framing and analog circuitry, the signal is sent through a multiplexer where card switches are used to select the timing signal type (E1 or analog).

8.52 The E1 or 2.048 MHz timing signal is then applied to each port driver and sent through an impedance-matching transformer. The output is then sent to an output interface. Both cards in the pair are power-combined to drive the outputs.

8.53 The TO-EA/C card may be switch-selectable for revertive or non-revertive switching of the input signal. For example, if set for revertive switching, and clock card A is supplying timing, if the signal is lost, a switch is made to clock card B. If clock card A comes back, the TO-EA/C card reverts back to clock card A. If all four signals are bad, the card fails.

8.54 If set for non-revertive switching, the TO-EA/C card will not revert backwards through the priority hierarchy (Table E), unless the card currently supplying timing is a clock input card. If the card currently supplying timing is a clock input card, and a clock card becomes active, the TO-EA/C card will switch to the highest level clock card available. If all four references have been disqualified or failed, the TO-EA/C card lights the FAIL lamp.

8.55 The 1+1 output protection mode, when used with the output modules and special cabling, provide smart fault grading, power combination, and redundant output protection. The outputs of the 1+1 card pairs are power-combined to drive the outputs simultaneously.

H. TOEA/C Card

8.56 The TOEA/C card provides 10 E1 outputs with either CAS or CCS formats (with or without CRC-4).

8.57 The card obtains the timing signal from the DCD internal timing bus (clock card A, clock card B, clock input A or clock input B), according to the priority in Table E. If no input timing signals are present, the TOEA/C card turns off its ST and INPUT lamps, lights the FAIL lamp, and squelches the outputs.

8.58 The outputs are fed to the interface panel (If configured with an MMP, the MMP must be equipped with the appropriate output kit, one for each TOEA/C card installed).

I. TOLA/C Card

8.59 The TOLA/C card is available in several models. Each model provides five timing outputs whose frequencies are switch-selectable from one of four groups. Front-panel lamps indicate which group has been selected.

8.60 The timing outputs are RS-422 for all but the 090-44023-03 card. Up to 10 RS-423 (TTL) outputs can be created by connecting between one side of an RS-422 output and signal ground. The RS-422 outputs are balanced driver signals, and the RS-423 outputs are unbalanced driver signals. The 090-44023-03 card outputs are RS-232 only and cannot be configured as TTL outputs.

8.61 A source select circuit obtains the timing signal from either the clock card A or B, or clock input A or B bus according to the priority as shown in Table E. If no input timing signals are present on the buses, the TOLA/C card turns off both its ST and INPUT lamps, lights the FAIL lamp, and mutes the outputs.

J. TOTA/C Cards

8.62 The TOTA/C cards provide 10 T1 (1.544 MHz) timing outputs.

8.63 The card obtains the timing signal from the quad bus according to the priority in Table E. If no input timing signals are present on the buses, the TOTA/C card turns off both its ST and INPUT lamps, lights the FAIL lamp, and squelches the outputs.

8.64 The outputs are fed to the output panel (if configured with an MMP, the MMP must be equipped with the appropriate output kit; one for each card installed).

8.65 SW1 on the TOTA/C card allows the configuration of TOTA/C card operating parameters. SW1 can be used to set the framing format to D4 or ESF.

9. INSERTION CARD DESCRIPTIONS

A. ESCIU/C Card

9.01 The ESCIU/C card is an elastic buffer that synchronizes an incoming or outgoing E1 facility with an external timing source. The ESCIU/C card isolates the synchronization of an E1 circuit. The ESCIU/C card interfaces a bidirectional E1 signal and provides retiming in the A direction while passing the E1 through in the B direction. The ESCIU/C card is cabled directly into the traffic-bearing E1 bit-stream being retimed.

9.02 A source select circuit in the ESCIU/C card selects the timing reference according to the priorities shown in Table E. With a valid reference, the SYNC lamp lights green. If a reference is not present, the SYNC lamp lights red. The 4 kHz reference is then fed to a PLL circuit with an output frequency of 2.048 MHz. This signal is used to clock the elastic buffer output, and the transmit line driver.

9.03 In the E1 A direction, the E1 signal is applied to the line interface and clock recovery circuit. The signal is converted to a unipolar format that passes all coding and logic errors through the ESCIU/C card intact. The input signal is also applied to an off-line framer where framing is monitored. Front panel lamps indicate LOS, OOF, and slips that cause excessive reframe conditions. A set of status leads also provides a framing status output.

9.04 The output from the clock recovery circuit clocks the signal into the elastic buffer, which is a bank of eight 64-bit FIFO storage devices. The FIFO bank holds two E1 frames. The E1 bit stream is

clocked into the center of the buffer by the write clock and is clocked by the read clock out of the buffer to the output line driver and line buildout (LBO) circuitry.

9.05 If the read and write clocks are at the same rate, the data stays at the center of the buffer. However, if the write clock is either faster or slower than the stable read clock, the FIFO begins to fill to the left or right. As the FIFO devices fill or empty to 128 bits, a lamp is lit, and the slip warning status lead is activated.

9.06 When the last FIFO device is full (256 bits or one E1 frame), a frame slip indication is set and a count started that triggers the excessive slip indication after eight slips. During the count, the frame slip lamp stays lit, but the 128-bit and 192-bit slip lamps are reset. The slip also activates the SLIP status lamp for 5 seconds.

Slip Monitoring

9.07 ESCIU/C cards provide bit slip (preslip) and frame slip indications via front panel lamps and status data to local and remote monitoring systems. E1 failure (LOS), system reference, and bypass indications are also given.

9.08 At the frame slip point when the buffer is filled, an uncontrolled slip occurs. However, no zeros are transmitted downstream; thus, only a COFA (change of frame alignment) may be detected by the downstream device if the frame bit moves out from the buffer in the receiving equipment.

9.09 If the on-line framer detects an LOS or OOF condition in the E1 input, the ESCIU/C card transmits (if optioned to do so) a framed all-ones signal at the reference rate to allow the downstream device to continue to recover timing. An LOS or OOF condition also resets the slip lamps and counter. The framer may be disabled by an option switch. Disabling the framer allows unframed E1 signals to be passed by the ESCIU/C.

9.10 In the E1 B direction, the signal enters the ESCIU/C card and is applied to the line interface and clock recovery circuit. The data and recovered clock are then fed directly to the line driver. No signal processing occurs other than detecting the LOS conditions, which are indicated with a status point and the E1 B lamp. Jitter is attenuated in the B direction.

E1 Bypass

9.11 Both A and B directions have bypass relays in the event of a reference failure, card failure, power loss, or if the ESCIU/C card is removed from the shelf.

9.12 The ESCIU/C card provides two types of bypass—electronic and relay. If the input reference is lost, an electronic bypass on the ESCIU/C card is activated. A front panel jack is provided to allow manual activation of the electronic bypass. A lit BYPASS lamp indicates the electronic bypass is active.

9.13 An alarm is set when the electronic bypass is active; this is the same as is set for E1 A (major, minor, or no alarm).

Caution: *The relay bypass on the ESCIU/C interface module closes if the ESCIU/C card fails, if the shelf loses power, or if the ESCIU/C card is removed from the shelf.*

Slip Monitor Mode

9.14 ESCIU/C cards can also be used in a slip monitor-only mode. In the monitor mode, the E1 A line interface acts as a bridging input. The connection to the E1 to be monitored must be made using a bridging unit available from Symmetricom. The E1 A input is applied to the FIFO, and slip information is obtained and displayed in reference to the ESCIU/C reference, as above. In the slip monitor mode, E1 B is disabled.

10. PSM/C CARD DESCRIPTION

10.01 The PSM/C card monitors up to four external inputs. The PSM-E/C and PSM-E/C^{V5} cards monitor 2.048 Mb/s signals, the PSM-T/C card monitors 1.544 Mb/s signals, and the PSM-EA/C^{V5} card monitors 2.048 Mb/s and 2.048 MHz signals. The number of inputs scanned and the framing type can be changed by TL1 commands from a remote PC or by switch settings on the card (refer to the TL1 User's Guide for information on commands). An MIS/C card must be installed in the system for communications with an external computer.

10.02 PSM/C^{V5} cards provide additional features when used with an MIS/C^{V5} card. The PSM/C communicates with the MIS/C card, which allows the user to control the card, and retrieve status and alarm information. To maintain MIS/C-to-PSM/C card communications, an MIS/C^{V5} card must be installed when a PSM/C^{V5} card is installed in the shelf.

10.03 The PSM/C^{V5} card works with the MIS/C^{V5} card to provide the user with status and alarm information and allow the user to control the card. Refer to the TL1 User's Guide (provided with each MIS/C card) for information on the TL1 commands associated with the PSM/C cards.

10.04 PSM/C cards can be installed in any two adjacent TO slots in the master shelf except the TO3/TO4 position. (This exception is due to the shelf stiffener in the middle of those slot pairs, which precludes a double-wide card.) The maximum number of PSM/C cards is two in the master shelf and five in each expansion shelf, with a limit of seven PSM/C cards in any single system. The maximum number of Version 5 PSM/C cards allowed in a single system is limited only to the number of available TO slots in the shelf.

10.05 The signals to be monitored are connected to the same output panel used by the TO cards. The cables are connected to wire-wrap modules or 10-port BNC interface modules mounted on the MMP, or the wire-wrap panel.

10.06 The PSM/C card scans each enabled input plus the two internal references to monitor transmission and performance parameters. Each input is sampled for 120 ms for a total elapsed sample time of approximately 1 second. The first 240 ms is ignored to ensure measurement stabilization. The sample rate for all input signals is 1 Hz. Spans that are not enabled are not checked. Scanning continues to cycle through the active inputs while the card is powered.

10.07 The PSM/C card reports an event when the transmission event count exceeds the assigned threshold. The factory-set thresholds are as follows:

- Out of frame (OOF): 4
- Alarm indication signal (AIS): 4
- Bipolar violations (BPV): 16
- Cyclic Redundancy Check (CRC): 16
- Loss of signal (LOS): 1

10.08 The OOF and AIS counts represent the number of errored seconds for each event during the time the PSM/C card scans the input. The BPV and CRC counts represent the actual number of errors counted while the input is being scanned. All thresholds except LOS are user-configurable, and the report given when a threshold is exceeded can be changed from a condition to an alarm.

10.09 Both the phase and frequency of the input signals are monitored in comparison to the active clock card or clock input signal in the shelf. Calculations are then made for MTIE and TDEV over various time periods. The time periods and the factory-set thresholds are listed in Table J.

10.10 The monitored parameters and calculated values are stored in ninety-six 15 minute bins. The bins are first-in, first-out (FIFO) so that when the 97th interval is completed, the oldest stored 15 minute data is overwritten. The data in these bins is the 1 minute averaged raw phase values, not the 1 second data points. Therefore, a 15 minute bin will contain 15 data points.

Table J. Factory Threshold Settings for MTIE and TDEV

TIME (s)	MTIE THRESHOLD (ns)	TDEV THRESHOLD (ns)
1	300	100
4	300	100
16	350	125
64	450	255
128	650	360
512	1,000	—
900	1,000	—

Note: The thresholds shown can be changed by TL1 command.

10.11 Remote control via the MIS/C card may be performed. For detailed information on available parameters that can be remotely accessed, refer to the TL1 User’s Guide (provided with each MIS/C card).

10.12 If an input has been disabled by switches on the PSM/C card or by TL1 command, performance data will not be collected on that input until that input is enabled.

10.13 If the PSM/C card is removed from the shelf, all error counts and stability measurement data registers are set to zero. Also, all options set by command will revert to the values set by switches on the PSM/C card. A FAIL lamp on the front panel of the card lights red if the self-diagnostic tests fail.

10.14 There is a separate front-panel REF lamp for each reference source, and each lamp indicates the status of the corresponding reference input. These lamps light green when an input is enabled and has passed error check. They light red when an input is enabled and fails the error check (high CRC, OOF, BPV, AIS, or LOS). The REF lamps do not light if the associated input is not enabled.

10.15 There is a separate front-panel TOL lamp for each reference source, and each lamp indicates the stability of the corresponding reference input. These lamps are off if the input is not enabled, and off if the input is enabled and within stability tolerance. The TOL lamps light yellow if the input is enabled and out of stability tolerance as measured by MTIE and TDEV.

10.16 The ST lamp on the front panel is off if no clock cards are active. This lamp lights green if at least one clock card is active.

10.17 The INP lamp is off if no clock cards or clock input cards are active, but lights green if at least one clock card or clock input card is active.

11. SPECIFICATIONS

11.01 Table K lists the DCD-521/C System specifications, Table L lists the bridging isolator specifications, Table M lists the individual card specifications, and Table N lists explanations of selected specification terms.

Table K. System Specifications

ITEM	SPECIFICATION		
CLOCK SUMMARY			
Source	<u>TNC-E/C</u> Rb Vapor Cell	<u>TNC/C</u> OCXO	
Holdover 0 h to 24 h, 25 °C	$\pm 2 \times 10^{-11}$	$\pm 3.0 \times 10^{-10}$	
Holdover 0 h to 24 h, 0 °C to 45°C	$\pm 5 \times 10^{-11}$	$\pm 1.0 \times 10^{-9}$	
Pull-in Range	$\pm 1.6 \times 10^{-8}$	$\pm 0.75 \times 10^{-6}$	
COMMUNICATIONS			
See the MIS/C card section in Table M.			
ALARM AND STATUS OUTPUTS			
See the MIS/C card section in Table M.			
SSM			
E1 Quality Levels Supported	QL-DNU QL-PRC QL-SSUL	QL-NONE QL-RES QL-SSUT	QL-NORM QL-SEC QL-UNK
T1 Quality Levels Supported	QL-DUS QL-PRS QL-ST2 QL-ST4	QL-NONE QL-RES QL-ST3 QL-STU	QL-NORM QL-SMC QL-ST3E QL-TNC
DELAYS			
Persistence Delay	0 ms to 2000 ms, in 100 ms steps		
Nonswitching Message Delay	0 ms to 2000 ms, in 100 ms steps		
Switching Message Delay	0 ms to 2000 ms, in 100 ms steps		
Holdover Message Delay	0 ms to 3600 s, in 1 s steps		
Holdoff Delay	0 ms to 2000 ms, in 100 ms steps		
Wait-to-Restore Delay	0 min to 15 min, in 1 min steps		
Note: These delays can be set by TL1 command.			

Table K. System Specifications (Contd)

ITEM	SPECIFICATION
POWER	
Voltage	-42 V dc to -56 V dc
Current, Master Shelf (Note)	1.5 A (For the first 30 minutes the TNC-E/C requires 4 A)
Current, Expansion Shelf	1.3 A
Recommended Fuse Size for Battery Feeds to Master Shelf	8 A, slow-acting type
Recommended Fuse Size for Battery Feeds to Expansion Shelf	3 A, slow-acting type
Fuse Size for Shelves	5 A, 250 V, 3AG fast-acting type
Note: Current specifications for fully loaded shelves.	
PHYSICAL	
Master and Expansion Shelf Assembly (one Interface Panel) (HxWxD)	598.9 mm x 535.3 mm x 270.9 mm
1-slot card dimensions (HxWxD)	152.4 mm x 19.1 mm x 244.3 mm + 6.4 mm (for handle)
2-slot card dimensions (HxWxD)	152.4 mm x 38.1 mm x 244.3 mm + 6.4 mm (for handle)
5-slot card dimensions (HxWxD)	152.4 mm x 95.5 mm x 244.3 mm + 6.4 mm (for handle)
Environmental Operating Temperature Operating Humidity	0 °C to 45 °C 0% to 95%, noncondensing

Table L. Bridging Isolator Specifications

ITEM	SPECIFICATION
Impedance (Input and Output)	75 Ω (wire-wrap: 120 Ω)
Insertion Loss (Input to Output)	< 0.01 dB @ 8 kHz
Bridging Insertion Loss	20.8 dB (wire-wrap: 20 dB)
Connector Type (Note)	BNC (p/n 093-45030-01, 093-45030-31) SMB (p/n 093-45030-02, 093-45030-32) Siemens 1.6/5.6 (p/n 093-45030-03, 093-45030-33) Siemens 1.0/2.3 (p/n 093-45030-35) Wire-wrap (p/n 093-45030-04)
Dimensions (cm)	10.2 cm x 4.4 cm x 2.8 cm (wire-wrap: 3.6 cm x 7.2 cm x 84 cm)
Weight	60 g (wire-wrap: 25 g)
Operating Temperature	-40 °C to +65 °C
Humidity	95% noncondensing
Note: Bridging isolators with a suffix -0x on the part number supply one bridged signal; bridging isolators with a suffix -3x on the part number supply three bridged signals.	

Table M. Card Specifications

ITEM	SPECIFICATION
C/C CARD	
Number of Inputs	1
DS1 Input Signal Monitor	Loss of signal (LOS) or AIS, OOF, and COFA
Input Error Threshold	Error rate of 10^{-6} (based on BPV)
Framing Protocols	D4 /ESF
Input Signal Level, Terminated	1.0 V to 3.5 V base-to-peak, -10 dB up to 200 m from DSX
Input Signal Level, Bridged	0.1 V to 0.35 V base-to-peak, up to 200 m from DSX
Input Signal Impedance	Bridging or terminated, 100 Ω resistive
Input Signal Jitter Tolerance	10-unit intervals, peak-to-peak, 0 Hz to 310 Hz; 0.3-unit intervals, 10 kHz to 50 kHz
Composite Clock Input Format	64 kb/s all-ones, RTZ, 62.5% duty cycle, up to 460 m from source
Composite Clock Input Level	1.5 V to 4.0 V base-to-peak
Composite Clock Input Impedance	100 Ω or 133 Ω balanced, 50 Ω unbalanced
SSM Processing	No
ACI/C CARD	
Number of Inputs	1
Input Signal Type	2.048 MHz (ITU G.703, Table 10) Analog 1.0 MHz, 5.0 MHz, and 10.0 MHz (tolerance ± 50 ppm)
Input Signal Level	0.3 V to 1.5 V rms
Input Impedance	75 Ω unbalanced
Input Frequency (sine wave)	Switch-selectable: 10 MHz, 5 MHz, 2.048 MHz, 1 MHz
Clock Holdover	2 s with zero phase shift
Transfer Time	2 s
SSM Processing	No (SSM quality level can be assigned via version 5.04 or higher MIS/C ^{V5} card)

Table M. Card Specifications (Contd)

ITEM	SPECIFICATION
CI -EA/C CARD	
Number of Inputs	1
Input Signal Type	Switch-selectable: Digital (ITU G.703, Table 6), or Analog (ITU G.703, Table 10)
Input Signal Parameters Monitored	AIS, OOF, COFA, and LOS
Input Error Threshold	One or more OOFs in 10 s; error rate 10^{-6} (based on code violations)
Framing Protocols	Switch-selectable: CAS or CCS framing with/without CRC-4 per ITU G.704
Line Coding	AMI or HDB3
Input Signal Level	1.0 V to 3.5 V base-to-peak (specific terminations are supported by separate input modules)
Input Impedance	120 Ω balanced or 75 Ω unbalanced
Jitter Tolerance	Per ITU G.823 (Table 2)
SSM Processing	No (SSM quality level can be assigned via version 5.04 or higher MIS/C ^{V5} card)
DCIM-EA/C CARD	
Number of Inputs	2
Input Signal Type	Digital: E1 (ITU G.703, Table 6) 2.048 MHz (ITU G.703, Table 10)
Input Parameters Monitored	CRC, OOF, BPV, AIS, and LOS (CRC and BPV monitored full-time in 15 minute bins)
Factory-set Thresholds (all except LOS may be changed by TL1 commands)	AIS: 1 BPV: 16 CRC: 16 LOS:1 OOF: 1
Framing Protocols	CAS or CCS framing with/without CRC-4 per ITU G.704 is selectable via TL1 command only
Line Coding	HDB3
Input Level, Terminated	1.0 V to 3.5 V base-to-peak
Input Level, Bridging	0.1 V to 0.35 V base-to-peak
Input Impedance	120 Ω balanced or 75 Ω unbalanced
Jitter Tolerance	Per ITU G.823 (Table 2)
SSM Processing	Yes

Table M. Card Specifications (Contd)

ITEM	SPECIFICATION
MRC-EA/C & MRC-EA/C^{V5} CARD	
Number of Inputs	4
Input Signal Type	Digital: E1 (ITU G.703, Table 6) 2.048 MHz (ITU G.703, Table 10)
Input Signal Priority	GPS (priority level 1), LORAN (priority level 2), Cesium (priority level 3), Network (priority level 4)
Input Parameters Monitored	CRC, OOF, BPV, AIS, and LOS
Factory-set Thresholds (all except LOS may be changed by TL1 commands)	AIS: 1 BPV: 16 CRC: 16 LOS:1 OOF: 1
Framing Protocols	CAS or CCS framing (switch-selectable) with/without CRC-4 per ITU G.704 (selectable via TL1 command only)
Line Coding	HDB3
Input Level, Terminated	1.0 V to 3.5 V base-to-peak
Input Level, Bridging	0.1 V to 0.35 V base-to-peak
Input Impedance	120 Ω balanced or 75 Ω unbalanced
Jitter Tolerance	Per ITU G.823 (Table 2)
SSM Processing	MRC-EA/C: No MRC-EA/C ^{V5} : No (SSM quality level can be assigned via version 5.04 or higher MIS/C ^{V5} card)

Table M. Card Specifications (Contd)

ITEM	SPECIFICATION
MRC-T/C CARD	
Number of Inputs	4
Input Signal Type	DS1
Input Signal Parameters Monitored	CRC, OOF, BPV, AIS, and LOS
Framing Protocols	D4, ESF or autoframer, set by TL1 command
Line Coding	AMI or B8ZS
Input Signal Level, Terminated	1.0 V to 3.5 V base-to-peak
Input Signal Level, Bridged	0.1 V to 0.35 V base-to-peak
Input Signal Jitter Tolerance	10-unit intervals, peak-to-peak, 0 Hz to 310 Hz; 0.3-unit intervals, 10 kHz to 50 kHz (per Pub TA-TSY-000378)
Input Impedance	100 Ω balanced or 50 Ω unbalanced
Input Frequency	1.544 Mb/s
SSM Processing	No (SSM quality level can be assigned via version 5.04 or higher MIS/C ^{V5} card)
TNC-E/C CARD (Refer to Table N for definitions of specification terms)	
Source	Rubidium atomic oscillator
<u>Clock Holdover Stability:</u> 0 h to 24 h, 25 °C 0 h to 24 h, 0 °C to 45 °C 30 days	$\pm 2 \times 10^{-11}$ $\pm 5 \times 10^{-11}$ $\pm 1 \times 10^{-10}$
Accuracy (20 years)	1.0×10^{-9}
Input Tolerance	$\pm 1.6 \times 10^{-8}$
Pull-in Range	$\pm 1.6 \times 10^{-8}$
Lock Range	$\pm 1 \times 10^{-9}$
Convergence Time	≤ 1 h
Warm-up Time	60 min
Operating Temperature	0 °C to 45 °C
Industry Specifications	ITU G.812 transit node clock specifications for slave clocks
SSM Processing	No (SSM quality level can be assigned via version 5.04 or higher MIS/C ^{V5} card)

Table M. Card Specifications (Contd)

ITEM	SPECIFICATION
TNC/C CARD (Refer to Table N for definitions of specification terms)	
Source	Oven-controlled crystal oscillator
<u>Clock Holdover Stability:</u> 0 h to 24 h, 25 °C 0 h to 24 h, 0 °C to 45 °C 30 days	$\pm 3.0 \times 10^{-10}$ $\pm 1.0 \times 10^{-9}$ $\pm 1.0 \times 10^{-8}$
Accuracy (20 years)	1.0×10^{-6}
Input Tolerance	$\pm 0.75 \times 10^{-6}$
Pull-in Range	$\pm 0.75 \times 10^{-6}$
Lock Range	$\pm 1.0 \times 10^{-7}$
Convergence Time	≤ 1 h
Warm-up Time	30 min
Operating Temperature	0 °C to 45 °C
Industry Specifications	ITU G.812 transit node clock specifications for slave clocks and ETSI 3017
SSM Processing	No (SSM quality level can be assigned via version 5.04 or higher MIS/C ^{V5} card)
LNC/C CARD (Refer to Table N for definitions of specification terms)	
Source	Oven-controlled crystal oscillator
<u>Clock Holdover Stability:</u> 0 h to 24 h, 25 °C 0 h to 24 h, 0 °C to 45 °C 30 days	$\pm 3.0 \times 10^{-10}$ $\pm 1.0 \times 10^{-8}$ $\pm 1.0 \times 10^{-8}$
Accuracy (20 years)	1.0×10^{-6}
Input Tolerance	$\pm 5.6 \times 10^{-6}$ or $\pm 2.0 \times 10^{-6}$ (switch selectable)
Pull-in Range	$\pm 5.6 \times 10^{-6}$ or $\pm 2.0 \times 10^{-6}$ (switch selectable)
Lock Range	$\pm 1.0 \times 10^{-7}$
Convergence Time	≤ 1 h
Warm-up Time	30 min
Operating Temperature	0 °C to 45 °C
SSM Processing	No (SSM quality level can be assigned via version 5.04 or higher MIS/C ^{V5} card)

Table M. Card Specifications (Contd)

ITEM	SPECIFICATION
EA10/C CARD	
Number of Outputs	10
Output Type (switch-selectable on a per port basis)	Digital E1 2.048 Mb/s (ITU G.703, Table 6) (any individual port) or 2.048 MHz (ITU G.703, Table 10) (any individual port)
Waveform	Digital E1: 2.37 V \pm 10% (75 Ω); 3.0 V \pm 10% (120 Ω); Bipolar return to zero (RTZ) per ITU G.703 Table 6 or 2.048 MHz: 75 Ω : 1.5 V peak maximum, 0.75 V peak minimum, 120 Ω : 1.9 V peak maximum, 1.0 V peak minimum per ITU G.703, Table 10
Wave Shape	Digital E1: Rectangular, pulse width 244 ns \pm 25 ns, pulse interval 488 ns per ITU G.703 (Figure 15) or Analog: Square wave per ITU G.703, Figure 21
Impedance	120 Ω balanced or 75 Ω unbalanced
Framing	CCS or CAS, with or without CRC-4
Protection	1:1, 1+1 (must use double-wide output module for pair), or stand-alone
SSM Processing	No
EA10M/C CARD	
Number of Outputs	10
Output Type (switch-selectable on a per port basis)	Digital E1 2.048 Mb/s (ITU G.703, Table 6) (any individual port) or 2.048 MHz (ITU G.703, Table 10) (any individual port)
Waveform	Digital E1: 2.37 V \pm 10% (75 Ω); 3.0 V \pm 10% (120 Ω); Bipolar return to zero (RTZ) per ITU G.703 Table 6 or 2.048 MHz: 75 Ω : 1.5 V peak maximum, 0.75 V peak minimum, 120 Ω : 1.9 V peak maximum, 1.0 V peak minimum per ITU G.703, Table 10
Wave Shape	Digital E1: Rectangular, pulse width 244 ns \pm 25 ns, pulse interval 488 ns per ITU G.703 (Figure 15) or 2.048 MHz: Square wave per ITU G.703, Figure 21
Impedance	120 Ω balanced or 75 Ω unbalanced
Framing	CCS or CAS, with or without CRC-4
Protection	1:1, 1+1 (must use double-wide output module), or stand-alone
SSM Processing	Yes

Table M. Card Specifications (Contd)

ITEM	SPECIFICATION
TOAA/C CARD (090-44022-01, -02, and -05; and 090-44028-10)	
Number of Outputs	2 (output ports on front panel of 090-44028-10 TOAA/C card, other cards require interface module)
Output Type	Analog
Waveform	090-44022-01, -02, -05, and 090-44028-10: 1 V rms 090-44022-15: 2 V rms
Impedance	75 Ω unbalanced (50 Ω unbalanced for 090-44022-02)
Output Frequency	Switch-selectable 090-44022-01, -02: 2.048 MHz, 1.0 MHz, 512 kHz, or 64 kHz 090-44022-05: 5 MHz 090-44028-10: 1 MHz, 5 MHz, or 10 MHz
Level Attenuators	090-44022-xx: 0 dB, 3 dB, 3.5 dB, 30 dB, 60 dB (none for 090-44028-10)
Protection	090-40022-xx: Stand-alone or 1:N 090-40028-10: Stand-alone
SSM Processing	No
TOCA/C CARD	
Number of Outputs	10
Output Type	Composite clock (digital 64/8 kb/s)
Waveform	2.7 V to 5.5 V peak, 3 V nominal; bipolar RTZ; all-ones with BPV every eighth pulse
Wave Shape	Rectangular, rise time <500 ns, pulse width 9.8 μ s \pm 5%, pulse interval 15.6 μ s \pm 5%
Impedance	133 Ω balanced
Duty Cycle	62.5%
Drive Capability	0 m to 910 m of twisted-pair, 25.3 mils, 0.643 mm (22 AWG) cable in the following lengths: 0 m to 455 m, 456 m to 606 m, 607 m to 758 m, and 759 m to 910 m
Protection	Stand-alone
SSM Processing	No

Table M. Card Specifications (Contd)

ITEM	SPECIFICATION
TOEA/C CARD	
Number of Outputs	10
Output Type	Digital E1 2.048 Mb/s (ITU G.703, Table 6)
Waveform	2.37 V \pm 10% (75 Ω); 3.0 V \pm 10% (120 Ω); Bipolar return to zero (RTZ) per ITU G.703 Table 6
Wave Shape	Rectangular, pulse width 244 ns \pm 25 ns, pulse interval 488 ns per ITU G.703 (Figure 15)
Impedance	120 Ω balanced or 75 Ω unbalanced
Framing	CCS or CAS, with or without CRC-4
Protection	Stand-alone
SSM Processing	No
TO-EA5/C & TO-EA/C CARD	
Number of Outputs	10 per card, and 10 per redundant pair
Output Type (switch-selectable, each port is independent)	Digital E1 2.048 Mb/s (ITU G.703, Table 6) (any individual port) or 2.048 MHz (ITU G.703, Table 10) (any individual port)
Waveform	Digital E1: 2.37 V \pm 10% (75 Ω); 3.0 V \pm 10% (120 Ω); Bipolar return to zero (RTZ) per ITU G.703 Table 6 or 2.048 MHz: 75 Ω : 1.5 V peak maximum, 0.75 V peak minimum, 120 Ω : 1.9 V peak maximum, 1.0 V peak minimum per ITU G.703, Table 10
Wave Shape	Digital E1: Rectangular, pulse width 244 ns \pm 25 ns, pulse interval 488 ns per ITU G.703 (Figure 15) or 2.048 MHz: Square wave per ITU G.703, Figure 21
Impedance	120 Ω balanced or 75 Ω unbalanced
Framing	CCS or CAS, with or without CRC-4
Protection	TO-EA5/C: 1:1, 1+1 (must use double-wide output module for pair), or stand-alone TO-EA/C: 1+1 (must use double-wide output module for pair) or stand-alone
SSM Processing	No

Table M. Card Specifications (Contd)

ITEM	SPECIFICATION					
TOGA/C CARD						
Number of Outputs	10					
Output Type	2.048 MHz (ITU G.703, Table 10)					
Waveform	75 Ω: 1.5 V peak maximum, 0.75 V peak minimum, 120 Ω: 1.9 V peak maximum, 1.0 V peak minimum per ITU G.703, Table 10					
Wave Shape	Square wave per ITU G.703, Figure 21					
Impedance	75 Ω unbalanced or 120 Ω balanced					
Output Frequency	2.048 MHz					
Protection	1+1 (must use double-wide output module for pair) or stand-alone					
SSM Processing	No					
TOLA/C 090-44023-01 CARD						
Number of Outputs	5 RS-422 or 10 RS-423 (TTL)					
Output Type	RS-422 or RS-423 (TTL)					
Wave Amplitude	2 V to 6 V pp for RS-422 (balanced) into 100 Ω >3 V for RS-423 (unbalanced) into 450 Ω					
Wave Shape	Square wave					
Impedance	100 Ω resistive, balanced; 450 Ω resistive, unbalanced					
Data Rates (four frequency groups) - From Wire-Wrap Module	<u>Group</u>	<u>Out 1</u>	<u>Out 2</u>	<u>Out 3</u>	<u>Out 4</u>	<u>Out 5</u>
	0	4 kb/s	8 kb/s	64 kb/s	1.544 Mb/s	1.544 Mb/s
	1	256 kb/s	512 kb/s	2.048 Mb/s	1.544 Mb/s	1.544 Mb/s
	2	384 kb/s	768 kb/s	1.536 Mb/s	1.544 Mb/s	1.544 Mb/s
	3	1.544 Mb/s	1.544 Mb/s	1.544 Mb/s	1.544 Mb/s	1.544 Mb/s
Cable Lengths (RS-422) 20.1 mils, 0.511 millimeter (24 AWG) Twisted Pair (maximum distance)	<u>Data Rate</u>	<u>Distance</u>		<u>Data Rate</u>	<u>Distance</u>	
	4 kb/s	1000 m		512 kb/s	200 m	
	8 kb/s	1000 m		768 kb/s	120 m	
	64 kb/s	1000 m		1.536 Mb/s	70 m	
	256 kb/s	400 m		1.544 Mb/s	70 m	
	384 kb/s	250 m		2.048 Mb/s	50 m	
Cable Lengths (RS-423 [TTL]) 20.1 mils, 0.511 millimeter (24 AWG) Twisted Pair (maximum distance)	<u>Data Rate</u>	<u>Distance</u>		<u>Data Rate</u>	<u>Distance</u>	
	4 kb/s	250 m		64 kb/s	15 m	
	8 kb/s	100 m		100 kb/s and above	Not recommended	
Protection	Stand-alone					
SSM Processing	No					

Table M. Card Specifications (Contd)

ITEM	SPECIFICATION					
TOLA/C 090-44023-02 CARD						
Number of Outputs	5 RS-422 or 10 RS-423 (TTL)					
Output Type	RS-422 or RS-423 (TTL)					
Wave Amplitude	2 V to 6 V pp for RS-422 (balanced) into 100 Ω >3 V for RS-423 (unbalanced) into 450 Ω					
Wave Shape	Square wave					
Impedance	100 Ω resistive, balanced; 450 Ω resistive, unbalanced					
Data Rates (four frequency groups) - From Wire-Wrap Module	<u>Group</u>	<u>Out 1</u>	<u>Out 2</u>	<u>Out 3</u>	<u>Out 4</u>	<u>Out 5</u>
	0	8 kb/s	8 kb/s	8 kb/s	8 kb/s	8 kb/s
	1	256 kb/s	512 kb/s	2.048 Mb/s	1.544 Mb/s	1.544 Mb/s
	2	384 kb/s	768 kb/s	1.536 Mb/s	1.544 Mb/s	1.544 Mb/s
	3	1.544 Mb/s	1.544 Mb/s	1.544 Mb/s	1.544 Mb/s	1.544 Mb/s
Cable Lengths (RS-422) 20.1 mils, 0.511 millimeter (24 AWG) Twisted Pair (maximum distance)	<u>Data Rate</u>	<u>Distance</u>		<u>Data Rate</u>	<u>Distance</u>	
	8 kb/s	1000 m		768 kb/s	120 m	
	256 kb/s	400 m		1.536 Mb/s	70 m	
	384 kb/s	250 m		1.544 Mb/s	70 m	
	512 kb/s	200 m		2.048 Mb/s	50 m	
Cable Lengths (RS-423 [TTL]) 20.1 mils, 0.511 millimeter (24 AWG) Twisted Pair (maximum distance)	<u>Data Rate</u>	<u>Distance</u>				
	8 kb/s	100 m				
	100 kb/s and greater	Not recommended				
Protection	Stand-alone					
SSM Processing	No					

Table M. Card Specifications (Contd)

ITEM	SPECIFICATION					
TOLA/C 090-44023-03 CARD						
Number of Outputs	10					
Output Type	RS-232					
Wave Amplitude	>+3 V from GND and >-3 V from GND for RS-232 into 3 to 7 kΩ					
Wave Shape	Square wave					
Impedance	100 Ω resistive, balanced; 450 Ω resistive, unbalanced					
Data Rates (four frequency groups) - From Wire-Wrap Module	<u>Group</u>	<u>Out 1</u>	<u>Out 2</u>	<u>Out 3</u>	<u>Out 4</u>	<u>Out 5</u>
	0	4.8 kb/s	4.8 kb/s	4.8 kb/s	4.8 kb/s	4.8 kb/s
	1	9.6 kb/s	9.6 kb/s	9.6 kb/s	9.6 kb/s	9.6 kb/s
	2	19.2 kb/s	19.2 kb/s	19.2 kb/s	19.2 kb/s	19.2 kb/s
	3	56 kb/s	56 kb/s	56 kb/s	56 kb/s	56 kb/s
Cable Lengths (RS-232) 20.1 mils, 0.511 millimeter (24 AWG) Twisted Pair (maximum distance)	<u>Data Rate</u>	<u>Distance</u>				
	4.8 kb/s	15 m				
	9.6 kb/s	15 m				
	19.2 kb/s	15 m				
	56 kb/s	Not recommended				
Protection	Stand-alone					
SSM Processing	No					
TOLA/C 090-44023-04 CARD						
Number of Outputs	5 RS-422 or 10 RS-423 (TTL)					
Output Type	RS-422 or RS-423 (TTL)					
Wave Amplitude	2 V to 6 V pp for RS-422 (balanced) into 100 Ω >3 V for RS-423 (unbalanced) into 450 Ω					
Wave Shape	Square wave					
Impedance	100 Ω resistive, balanced; 450 Ω resistive, unbalanced					
Data Rates	All data rates are 2.048 Mb/s					
Cable Lengths (RS-422) 20.1 mils, 0.511 millimeter (24 AWG) Twisted Pair (maximum distance)	<u>Data Rate</u>	<u>Distance</u>				
	2.048 Mb/s	50 m				
Protection	Stand-alone					
SSM Processing	No					

Table M. Card Specifications (Contd)

ITEM	SPECIFICATION					
TOLA/C 090-44023-05 CARD						
Number of Outputs	5 RS-422 or 10 RS-423 (TTL)					
Output Type	RS-422 or RS-423 (TTL)					
Wave Amplitude	2 V to 6 V pp for RS-422 (balanced) into 100 Ω >3 V for RS-423 (unbalanced) into 450 Ω					
Wave Shape	Square wave					
Impedance	100 Ω resistive, balanced; 450 Ω resistive, unbalanced					
Data Rates (four frequency groups) - From wire-wrap panel	<u>Group</u>	<u>Out 1</u>	<u>Out 2</u>	<u>Out 3</u>	<u>Out 4</u>	<u>Out 5</u>
	0	1.544 Mb/s	64 kb/s	128 kb/s	192 kb/s	1.024 Mb/s
	1	1.544 Mb/s	64 kb/s	128 kb/s	192 kb/s	1.024 Mb/s
	2	1.544 Mb/s	64 kb/s	128 kb/s	192 kb/s	1.024 Mb/s
	3	1.544 Mb/s	64 kb/s	128 kb/s	192 kb/s	1.024 Mb/s
Cable Lengths (RS-422) 20.1 mils, 0.511 millimeter (24 AWG) Twisted Pair (maximum distance)	<u>Data Rate</u>	<u>Distance</u>		<u>Data Rate</u>	<u>Distance</u>	
	64 kb/s	250.3 m		192 kb/s	68.3 m	
	128 kb/s	197.2 m		1.024 Mb/s	91 m	
	1.544 Mb/s	68.3 m				
Cable Lengths (RS-423 [TTL]) 20.1 mils, 0.511 millimeter (24 AWG) Twisted Pair (maximum distance)	<u>Data Rate</u>	<u>Distance</u>				
	64 kb/s	15.2 meters				
	≥ 100 kb/s	Not recommended				
Protection	Stand-alone					
SSM Processing	No					
TOTA/C CARDS						
Number of Outputs	10					
Output Type	DS1					
Waveform	2.4 V to 3.6 V peak, 3.5 V nominal; bipolar return to zero, all-ones; ESF or D4 format, per Pub 43801					
Wave Shape	Rectangular, rise time <100 ns, pulse width 325 ns \pm 30 ns, pulse interval 648 ns \pm 64 ns, per CB-119					
Impedance	100 Ω balanced or 50 Ω unbalanced					
Overshoot	To +20% and -45% of peak-to-base amplitude					
Duty Cycle	50% nominal					
Output Drive Capability	0 meters to 198.7 meters of twisted-pair, 25.3 mils, 0.643 millimeter (22 AWG) cable					
Protection	Stand-alone					
SSM Processing	No					

Table M. Card Specifications (Contd)

ITEM	SPECIFICATION
PSM-E/C & PSM-E/C^{V5} CARD	
Number of Inputs	4
Input Signal Type	E1 Digital (ITU G.703, Table 6)
Input Parameters Monitored	CRC, OOF, BPV, AIS, LOS, MTIE, TDEV, raw phase
Factory-set Thresholds (all except LOS may be changed by TL1 commands)	AIS: 1 BPV: 16 CRC: 16 LOS:1 OOF: 1
Framing Protocols	CAS and CCS framing with/without CRC-4 per ITU G.704, unframed
Line Coding	HDB3
Scan Rate	5 s per active channel (inactive channels are not scanned)
Sample Rate	1 Hz per channel
Input Signal Level, Terminated	1.0 V to 3.5 V base-to-peak
Input Signal Level, Bridged	0.1 V to 0.35 V base-to-peak
Input Signal Impedance	120 Ω balanced or 75 Ω unbalanced
Input Frequency	2.048 Mb/s

Table M. Card Specifications (Contd)

ITEM	SPECIFICATION
PSM-EA/C CARD	
Number of Inputs	4
Input Signal Type	Digital E1 (ITU G.703, Table 6) 2.048 MHz (ITU G.703, Table 10)
Input Impedance	120 Ω balanced or 75 Ω unbalanced
Input Parameters Monitored	CRC, OOF, BPV, AIS, LOS, MTIE, TDEV, raw phase
Factory-set Thresholds (all except LOS may be changed by TL1 commands)	AIS: 1 BPV: 16 CRC: 16 LOS:1 OOF: 1
Framing Protocols	CAS and CCS framing with/without CRC-4 per ITU G.704, unframed
Line Coding	HDB3
Scan Rate	5 s per active channel (inactive channels are not scanned)
Sample Rate	1 Hz per channel
Input Signal Level, Terminated	1.0 V to 3.5 V base-to-peak
Input Signal Level, Bridged	0.1V to 0.35 V base-to-peak

Table M. Card Specifications (Contd)

ITEM	SPECIFICATION						
PSM-T/C CARD							
Number of Inputs	4						
Input Signal Type	DS1						
Input Parameters Monitored	CRC, OOF, BPV, AIS, LOS, MTIE, TDEV, raw phase						
Factory-set Thresholds (all except LOS may be changed by TL1 commands)	<table border="0" style="width: 100%;"> <tr> <td style="width: 50%;">AIS: 1</td> <td style="width: 50%;">LOS:1</td> </tr> <tr> <td>BPV: 16</td> <td>OOF: 1</td> </tr> <tr> <td>CRC: 16</td> <td></td> </tr> </table>	AIS: 1	LOS:1	BPV: 16	OOF: 1	CRC: 16	
AIS: 1	LOS:1						
BPV: 16	OOF: 1						
CRC: 16							
Framing Protocols	ESF or D4						
Line Coding	AMI, B8ZS						
Scan Rate	5 s per active channel (inactive channels are not scanned)						
Sample Rate	1 Hz per channel						
Input Signal Level, Terminated	1.0 V to 3.5 V base-to-peak						
Input Signal Level, Bridged	0.1 V to 0.35 V base-to-peak						
Input Signal Impedance	100 Ω balanced or 50 Ω unbalanced						
Input Frequency	1.544 Mb/s						

Table M. Card Specifications (Contd)

ITEM	SPECIFICATION
ESCIU/C CARD	
Input	Bidirectional E1
E1 Input, A and B	Framed E1 2.048 Mb/s
Input Monitor	LOS or AIS, OOF
Input Error Threshold	2 out of 4 OOF, 32 consecutive zeroes
Framing Protocols	CAS, CCS; with or without HDB3 or AMI line coding
Input Signal Level, Terminated	2.375 V \pm 10% into 75 Ω (per ITU G.703)
Input Signal Level, Bridging	Maximum bridging resistance is 422 Ω x 2
Input Signal Level, Impedance	120 Ω balanced or 75 Ω unbalanced
Input Signal, Jitter Tolerance	Meets ITU G.823 requirements
E1 Output, Levels A and B	Meets ITU G.703 requirements
E1 Load Impedance	75 Ω
E1 A Buffer Size	\pm 256 bits (\pm 1 frame)
E1 A Buffer Hysteresis	64 bits, approximately 40 μ s
E1 A Through Delay	\geq 16 μ s, 136 μ s centered, \leq 266 μ s (2 E1 frames + 16 μ s)
E1 B Through Delay	Nominal 16 μ s
Protection	Stand-alone
SSM Processing	No
SAI/C CARD	
Relay Contact Ratings	2 A, resistive load
Audible and Visual Alarms (major and minor)	Normally open and normally closed contacts
Alarm Status Indication (major and minor)	Normally open contacts

Table M. Card Specifications (Contd)

ITEM	SPECIFICATION		
MIS/C & MIS/C^{V5} CARD			
Relay Contact Ratings	2 A, resistive load		
Audible and Visual Alarms (major, minor, and critical)	Normally open and normally closed contacts		
Alarm Status Indication (major, minor, and critical)	Normally open contacts		
Status Leads	Open collector PNP, -48 V, 50 mA nominal; -120 V, 500 mA maximum; E2A, TASC type alarm points (RTN [Return] lead at ground; active lead 5 Ω to 7 Ω from ground when activated)		
Physical Interface (CEP)	DB9 (three female connectors)		
Electrical Interface (All Ports)	RS-232C		
Configuration (All Ports)	Data terminal equipment (DTE)		
Language (All Ports)	TL1		
Communications Settings	<u>COMM1</u>	<u>COMM2</u>	<u>COMM3</u>
	9600 baud or 1200 baud (set by TL1 command)	9600 baud or 1200 baud (set by card switch)	9600 baud or 1200 baud (set by TL1 command)
	8 data bits	8 data bits	8 data bits
	even, odd, or no parity (set by TL1 command)	even, odd, or no parity (set by card switch)	even, odd, or no parity (set by TL1 command)
	1 stop bit	1 stop bit	1 stop bit
	Note: For additional communications settings, see the commands in the MIS/C card TL1 User's Guide.		

Table N. Specification Terms

TERM	MEANING
Accuracy (20 years) (As used here, refers only to frequency accuracy, not time accuracy)	Represents the degree to which the measured frequency characteristics of an oscillator, that is not influenced by a reference signal or control circuitry, conforms to a defined value. For example, a 1 MHz signal that has an accuracy of 1 part in 10^{-6} can deviate ± 1 Hz from 1,000,000 Hz.
Convergence Time	The time required to bring the local oscillator within 10^{-10} of the reference signal.
Holdoff Delay	The amount of time from when transmission impairments are detected on an input until the input is disqualified.
Holdover Message Delay	The amount of time from when the clocks go into holdover until the holdover SSM is sent to the timing output cards.
Holdover Stability	Specifies the rate at which a clock, which is no longer influenced by a reference signal, changes from its nominal frequency over a certain period of time (e.g., 24 hours, 48 hours). (Stability is broadly categorized into short and long term periods. Short term stability is dominated by random noise and jitter, whereas long term stability is dominated by drift.)
Input Tolerance	The amount by which the input reference signal can change with respect to the average of the sampled input signal over the last 24 hours. If the input signal changes by a value greater than this specified limit, the clock will declare an alarm and enter a hold-over mode.
Lock Range	Represents the frequency difference between the current input signal sample value and the center frequency lock value of the clock for which locking is possible.
Nonswitching Message Delay	The amount of time from a signal quality SSM change (following the persistence delay and which does not require a switch or rearrangement) at an input until the new SSM is sent to the timing output cards.
Operating Temperature	The temperature range over which the specifications are met unless specifically stated otherwise.
Persistence Delay	The amount of time from an SSM change at an input until the new SSM is sent to the MIS card.
Pull-in Range	The largest offset between the actual input reference frequency and the nominal reference frequency within which the slave clock will always lock.
Wait-to-Restore Delay	The amount of time from when the input is free of transmission impairments until the input is requalified for use on a DCIM-EA/C card.
Storage Temperature	The temperature range over which the card can be stored without damage.
Switching Message Delay	The amount of time from a signal quality SSM change (following the persistence delay and which requires a switch or rearrangement) at an input until the new SSM is sent to the timing output cards.
Warm-up Time	The time required to stabilize the temperature-regulating element surrounding the oscillator.